

MATERIAL

- 1 BODY: BERYLLIUM COPPER ALLOY CI7300 PER ASTM B196, COND 1/2H TO H
- 2 CENTER CONTACT: BERYLLIUM COPPER ALLOY CI7300 PER ASTM B196, COND 1/2H TO H
- 3 INSULATOR: PTFE PER ASTM-DI710

FINISH:

- 1 BODY: GOLD, PER ASTM B488, TYPE II GRADE C, CLASS I.27 MIN. μM OVER NICKEL, 1.3~4.3 μM PER ASM-QQ-N-290
- 2 CENTER CONTACT: GOLD, PER ASTM B488, TYPE II CODE C, CLASS I.27 MIN. μM OVER NICKEL, 1.3~4.3 μM PER ASM-QQ-N-290

ELECTRICAL DATA:

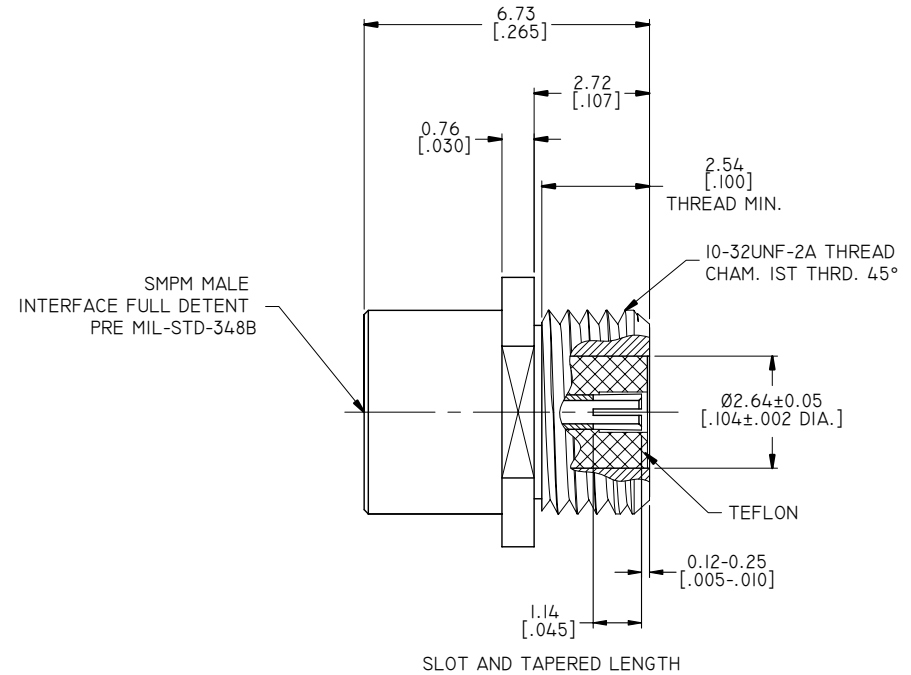
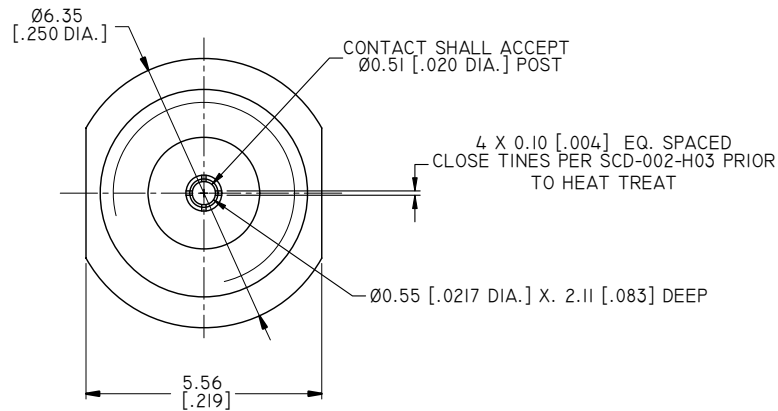
- 1 IMPEDANCE: 50 OHMS
- 2 FREQUENCY RANGE: DC~65 GHZ

ENVIRONMENTAL DATA:

- 1 TEMPERATURE RANGE: -55°C~+125°C
- 2 2011/65/EU(RoHS) AND 2015/863/(RoHS): COMPLIANT
- 3 1907/2006/EC(REACH): COMPLIANT

REVISIONS

| REV. | DESCRIPTION | DATE | APPROVED |
|------|---------------------------------|----------|----------|
| A | INITIAL RELEASE | 07/27/16 | J. QU |
| B | CONTACT HEAT TREATD SLOTS ADDED | 11/15/19 | J. QU |



SMPM MALE INTERFACE FULL DETENT PRE MIL-STD-348B

SLOT AND TAPERED LENGTH

| | | | |
|--|--------------------|--|----------|
| DRAWN | X. B. YANG | DATE | 11/15/19 |
| CHECKED | W. YANG | DATE | 11/15/19 |
| APPROVED | J. QU | DATE | 11/15/19 |
| UNLESS OTHERWISE SPECIFIED DIMENSIONS ARE IN MILLINMETERS. DIMENSIONS IN [] ARE IN INCHES FOR CUSTOMER REFERENCE ONLY UNLESS OTHERWISE SPECIFIED TOLERANCE ARE: | | THESE DRAWINGS AND SPECIFICATIONS ARE THE PROPERTY OF ANOISON ELECTRONICS LTD AND SHOULD NOT BE USED WITHOUT WRITTEN PERMISSION COPYRIGHT © 2019 ANOISON ELECTRONICS LTD | |
| .XX | ± 0.13 [.005"] | | |
| .X | ± 0.20 [.008"] | | |
| X | ± 0.50 [.019"] | | |
| .X° | $\pm 1^\circ$ | | |
| X° | $\pm 2^\circ$ | | |



TITLE SMPM STRAIGHT MALE, PANEL MOUNT THREAD-IN FOR .020 DIA. POST

| | | | | |
|------|------------------------|-------|-----|-----------|
| VIEW | PART NO. ANO 9411-5009 | | | |
| SIZE | A3 | SCALE | 8:1 | SHEET 1/1 |
| REV. | B | | | |