

MATERIAL & FINISH:

1. BODY: STAINLESS STEEL, PASSIVATED
2. CENTER CONTACT: BERYLLIUM COPPER ALLOY, GOLD PLATED
3. INSULATOR: PTFE

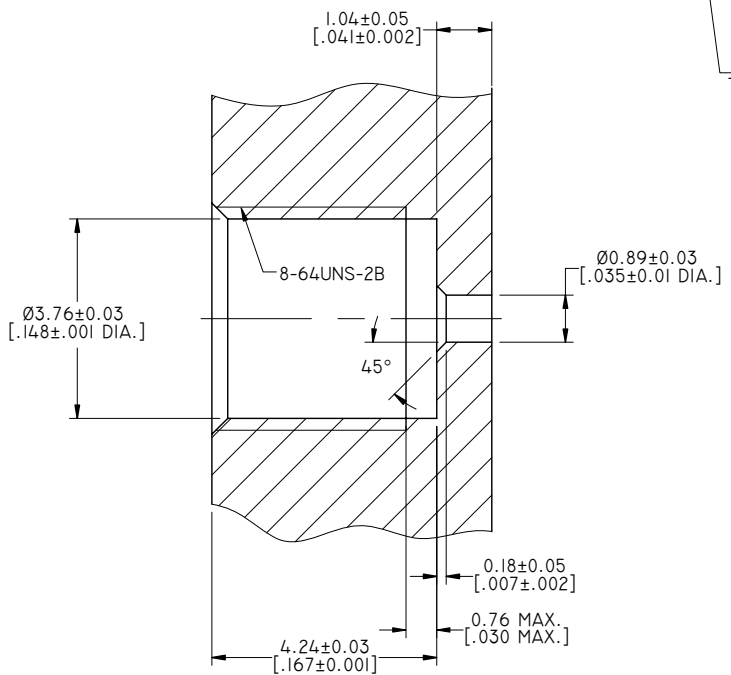
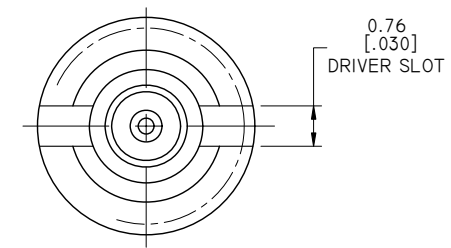
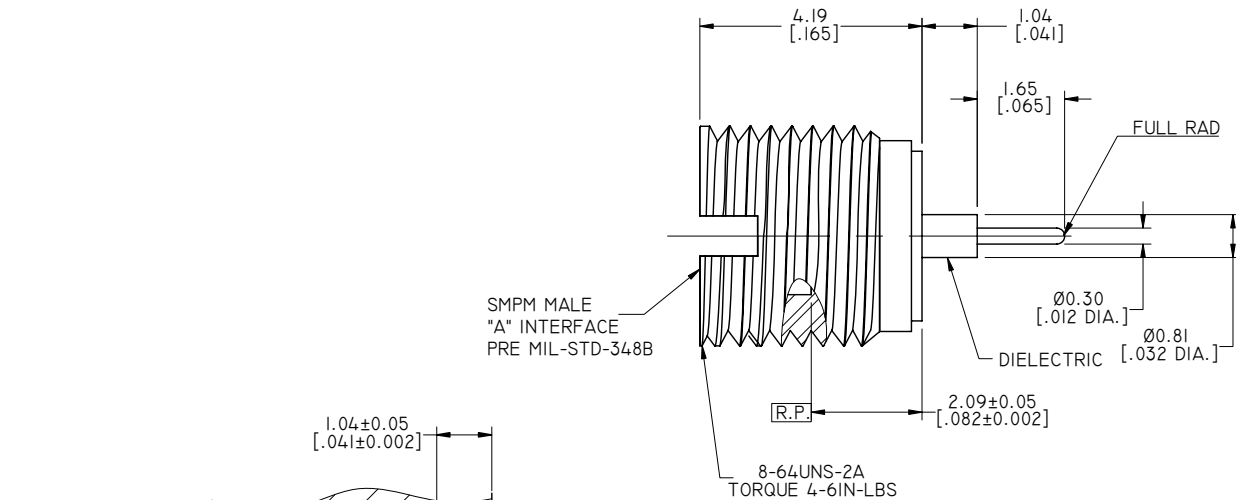
ENVIRONMENTAL DATA:

1. TEMPERATURE RANGE: -55°C~+125°C
2. 2011/65/EU (RoHS): COMPLIANT

ELECTRICAL SPECIFICATIONS:

1. IMPEDANCE: 50 Ω
2. FREQUENCY RANGE: DC~40GHZ
3. VSWR: 1.25 MAX. AT DC~26.5GHZ
1.35 MAX. AT 26.5~40GHZ

REVISIONS			
REV.	DESCRIPTION	DATE	APPROVED
A	INITIAL RELEASE	05/24/16	J. QU



PART NO.	"A" INTERFACE
ANO 9411-5008-1	FULL DETENT
ANO 9411-5008-2	SMOOTH BORE

DRAWN	P. CHEN	DATE	06/24/16
CHECKED	L. YANG	DATE	06/24/16
APPROVED	J. QU	DATE	06/24/16
UNLESS OTHERWISE SPECIFIED DIMENSIONS ARE IN MILLIMETERS. DIMENSIONS IN [] ARE IN INCHES FOR CUSTOMER REFERENCE ONLY UNLESS OTHERWISE SPECIFIED TOLERANCE ARE:		THESE DRAWINGS AND SPECIFICATIONS ARE THE PROPERTY OF ANOISON ELECTRONICS LTD AND SHOULD NOT BE USED WITHOUT WRITTEN PERMISSION COPYRIGHT © 2016 ANOISON ELECTRONICS LTD	
.XX	±0.13 [.005"]		
.X	±0.20 [.008"]		
X	±0.50 [.019"]		
.X°	±1°		
X°	±2°		



TITLE				
SMPM STRAIGHT MALE, THREAD-IN WITH Ø.012 CONTACT				
VIEW		PART NO.		
		ANO 9411-5008		
SIZE	SCALE	SHEET	REV.	
A3	10:1	1/1	A	