

4 3 2 1

**MATERIAL & FINISH:**

- 1 BODY: STAINLESS STEEL , PASSIVATED
- 2 CENTER CONTACT: BERYLLIUM COPPER ALLOY , GOLD PLATED
- 3 RETAINING RING: BERYLLIUM COPPER ALLOY, NICKEL PLATED
- 4 INSULATOR: PTFE
- 5 FERRULE: BERYLLIUM COPPER ALLOY, GOLD PLATED

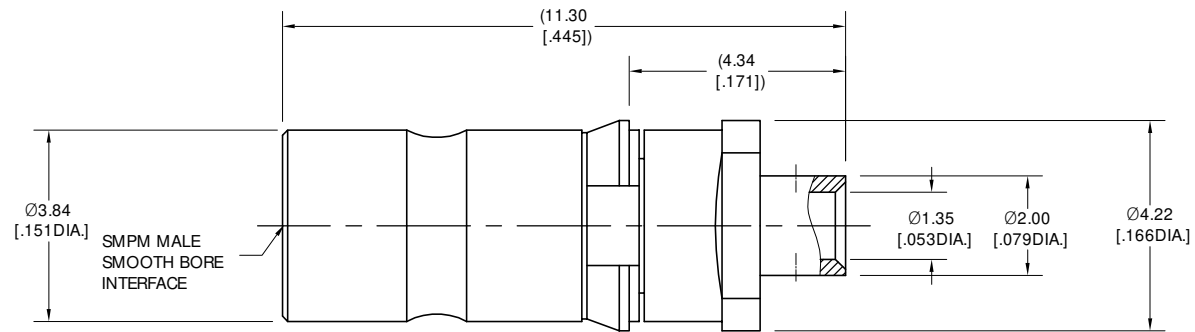
**ELECTRICAL DATA:**

- 1 IMPEDANCE: 50 Ω
- 2 FREQUENCY RANGE: DC~40 GHz
- 3 VSWR: 1.40 MAX. @ DC~26.5GHz

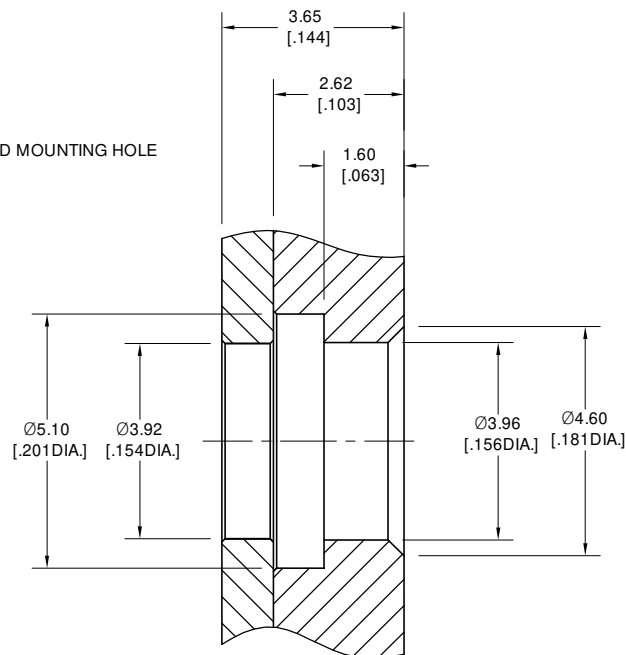
**ENVIRONMENTAL DATA:**

- 1 TEMPERATURE RANGE: -55 °C~+165 °C
- 2 2011/65/EU(RoHS) AND 2015/863/(RoHS): COMPLIANT
- 3 1999/45/EC(REACH): COMPLIANT

REVISIONS			
REV.	DESCRIPTION	DATE	APPROVED
A	INITIAL RELEASE	11/08/23	J Q



RECOMMENDED MOUNTING HOLE



DRAWN	P. C	DATE	11/08/23
CHECKED	L. Y	DATE	11/08/23
APPROVED	J Q	DATE	11/08/23
UNLESS OTHERWISE SPECIFIED DIMENSIONS ARE IN MILLIMETERS, DIMENSIONS IN [ ] ARE IN INCHES FOR CUSTOMER REFERENCE ONLY UNLESS OTHERWISE SPECIFIED TOLERANCE ARE:		THESE DRAWINGS AND SPECIFICATIONS ARE THE PROPERTY OF ANOISON ELECTRONICS LTD AND SHOULD NOT BE USED WITHOUT WRITTEN PERMISSION COPYRIGHT © 2023 ANOISON ELECTRONICS LTD	
XX	±0.13 [0.005"]		
X	±0.20 [0.008"]		
X	±0.50 [0.019"]		
X"	±1°		
X"	±2°		

TITLE SMPM VITA 67.3 PLUG-IN CONNECTOR FOR .047 CABLE			
VIEW	PART NO. ANO 9411-2080		
	SIZE A3	SCALE 10:1	SHEET 1/1
			REV. A

4 3 2 1