

4 3 2 1

MATERIAL & FINISH:

- 1 BODY: STAINLESS STEEL , PASSIVATED
- 2 CENTER CONTACT: BERYLLIUM COPPER ALLOY , GOLD PLATED
- 3 RETAINING RING: BERYLLIUM COPPER ALLOY, NICKEL PLATED
- 4 INSULATOR: PTFE
- 5 FERRULE: BERYLLIUM COPPER ALLOY, GOLD PLATED

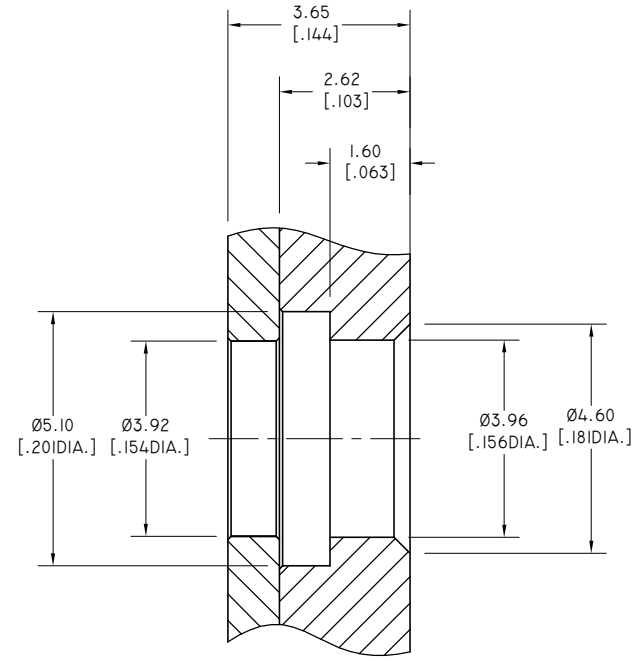
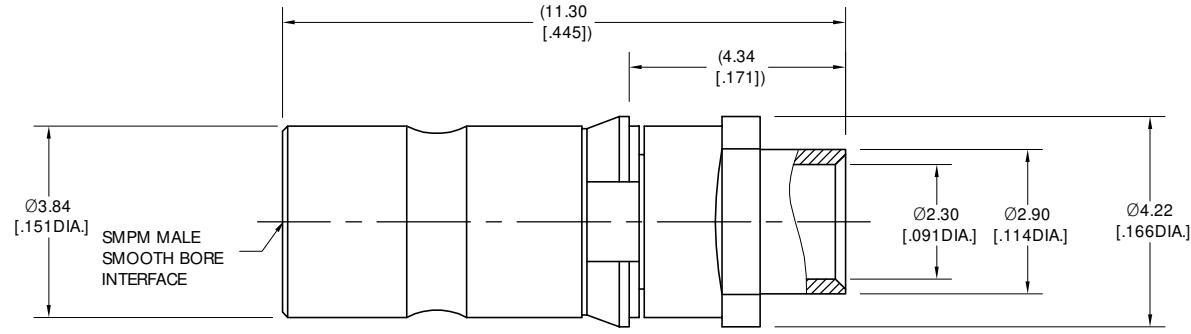
ELECTRICAL DATA:

- 1 IMPEDANCE: 50 Ω
- 2 FREQUENCY RANGE: DC~40 GHz
- 3 VSWR: 1.40 MAX. @ DC~26.5GHz

ENVIRONMENTAL DATA:

- 1 TEMPERATURE RANGE: -55 °C~+165 °C
- 2 2011/65/EU(RoHS) AND 2015/863/(RoHS): COMPLIANT
- 3 1999/45/EC(REACH): COMPLIANT

REVISIONS			
REV.	DESCRIPTION	DATE	APPROVED
A	INITIAL RELEASE	04/27/23	J Q



RECOMMENDED MOUNTING HOLE
(SV BACKPLATE MODULE 9311-60221)

DRAWN	W. Y	DATE	04/27/23
CHECKED	L. Y	DATE	04/27/23
APPROVED	J Q	DATE	04/27/23
UNLESS OTHERWISE SPECIFIED DIMENSIONS ARE IN MILLIMETERS, DIMENSIONS IN [] ARE IN INCHES FOR CUSTOMER REFERENCE ONLY UNLESS OTHERWISE SPECIFIED TOLERANCE ARE:		THESE DRAWINGS AND SPECIFICATIONS ARE THE PROPERTY OF ANOISON ELECTRONICS LTD AND SHOULD NOT BE USED WITHOUT WRITTEN PERMISSION COPYRIGHT © 2023 ANOISON ELECTRONICS LTD	
XX	±0.13 [0.005"]		
.X	±0.20 [0.008"]		
X	±0.50 [0.019"]		
.X°	±1°		
X°	±2°		

TITLE
SMPM VITA 67.3 PLUG-IN CONNECTOR FOR .086 CABLE,
FOR SV BACKPLATE MODULE 9311-60221

VIEW

PART NO. ANO 9411-2073 (equal SV 3211-60350)	
SIZE A3	SCALE 10:1
SHEET 1/1	REV. A

D
C
B
A

4 3 2 1