

**MATERIAL & FINISH:**

1 BODY: STAINLESS STEEL, PASSIVATED

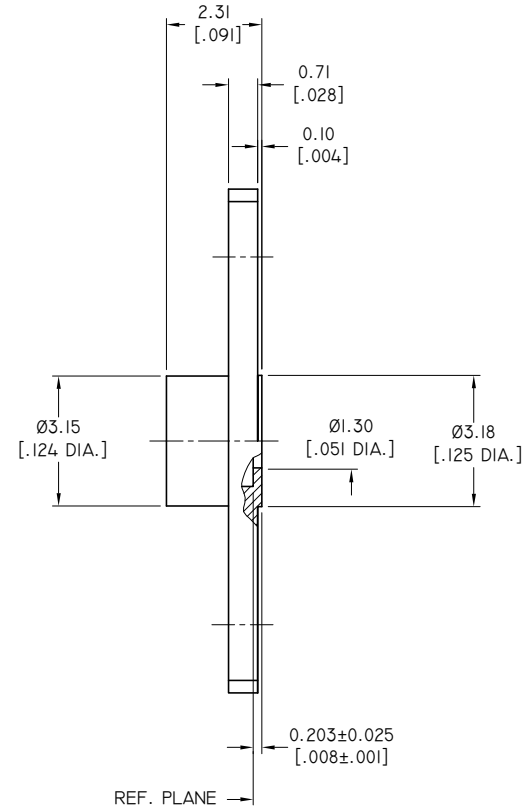
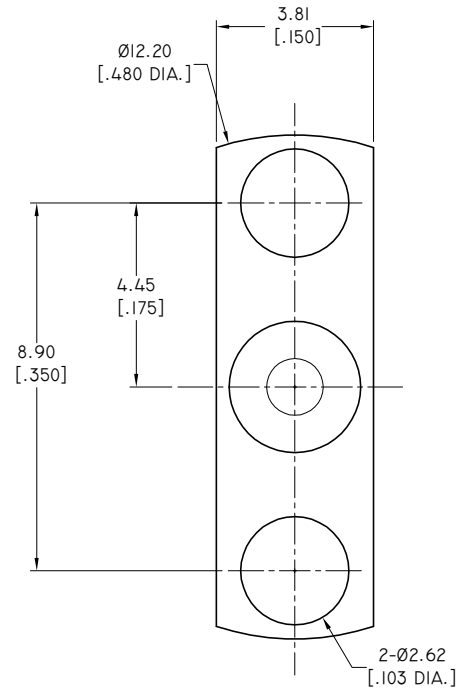
**MECHANICAL DATA:**

1 MECHANICAL DURABILITY: 500 CYCLES MIN.

**ELECTRICAL DATA:**

- 1 IMPEDANCE: 50 Ω
- 2 FREQUENCY RANGE: DC~65 GHZ

REVISIONS			
REV.	DESCRIPTION	DATE	APPROVED
A	INITIAL RELEASE	04/17/20	J. QU



DRAWN	X. B. YANG	DATE	04/17/20
CHECKED	W. YANG	DATE	04/17/20
APPROVED	J. QU	DATE	04/17/20

UNLESS OTHERWISE SPECIFIED DIMENSIONS ARE IN MILLIMETERS. DIMENSIONS IN [ ] ARE IN INCHES FOR CUSTOMER REFERENCE ONLY UNLESS OTHERWISE SPECIFIED TOLERANCE ARE:

.XX	±0.13 [.005"]
.X	±0.20 [.008"]
X	±0.50 [.019"]
.X°	±1°
X°	±2°

THESE DRAWINGS AND SPECIFICATIONS ARE THE PROPERTY OF ANOISON ELECTRONICS LTD AND SHOULD NOT BE USED WITHOUT WRITTEN PERMISSION COPYRIGHT © 2020 ANOISON ELECTRONICS LTD



TITLE  
SMPM STRAIGHT MALE FULL DETENT  
2 HOLE FLANGE MOUNT SHROUD

VIEW	PART NO. ANO 9411-2047	SIZE A3	SCALE 8:1	SHEET 1/1	REV. A
------	---------------------------	------------	--------------	--------------	-----------