

4

3

2

1

1.0 MATERIAL & FINISH

- 1.1 BODY: BERYLLIUM COPPER ALLOY, GOLD PLATED
- 1.2 CENTER CONTACT: BERYLLIUM COPPER ALLOY, GOLD PLATED
- 1.3 INSULATOR: PTFE

2.0 ENVIRONMENTAL DATA:

- 2.1 TEMPERATURE RANGE: -55°C~+165°C
- 2.2 2011/65/EU (RoHS): COMPLIANT

3.0 ELECTRICAL SPECIFICATIONS:

- 3.1 IMPEDANCE: 50 Ω
- 3.2 FREQUENCY RANGE: DC~65GHZ
- 3.3 VSWR: 1.20 TYPICAL DC~18GHZ
- 1.30 TYPICAL 18GHZ~40GHZ

REVISIONS			
REV.	DESCRIPTION	DATE	APPROVED
A	INITIAL RELEASE	05/25/18	J. QU

D

D

C

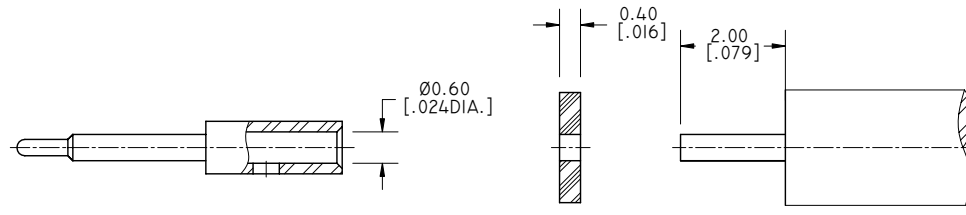
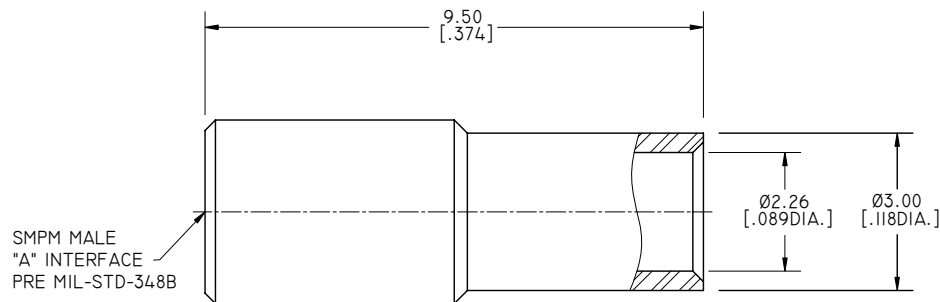
C

B

B

A

A



CABLE STRIPPING DIMENSIONS

PART NO.	"A" INTERFACE
ANO 9411-2023-1	FULL DETENT
ANO 9411-2023-2	SMOOTH BORE

DRAWN	P. CHEN	DATE	05/25/18
CHECKED	L. YANG	DATE	05/25/18
APPROVED	J. QU	DATE	05/25/18
UNLESS OTHERWISE SPECIFIED DIMENSIONS ARE IN MILLIMETERS, DIMENSIONS IN [] ARE IN INCHES FOR CUSTOMER REFERENCE ONLY UNLESS OTHERWISE SPECIFIED TOLERANCE ARE:		THESE DRAWINGS AND SPECIFICATIONS ARE THE PROPERTY OF ANOISON ELECTRONICS LTD AND SHOULD NOT BE USED WITHOUT WRITTEN PERMISSION COPYRIGHT © 2018 ANOISON ELECTRONICS LTD	
.XX	±0.13 [0.005"]		
.X	±0.20 [0.008"]		
X	±0.50 [0.019"]		
.X°	±1°		
X°	±2°		



TITLE			
SMPM STRAIGHT MALE SOLDER FOR .086 CABLE			
VIEW	PART NO.		
	ANO 9411-2023		
SIZE	SCALE	SHEET	REV.
A3	10:1	I/I	A

4

3

2

1