

4 3 2 1

REVISIONS			
REV.	DESCRIPTION	DATE	APPROVED
A	INITIAL RELEASE	09/21/20	J QU

MATERIAL & FINISH:

- 1 BODY: STAINLESS STEEL, PASSIVATED
- 2 CENTER CONTACT: BERYLLIUM COPPER, GOLD PLATED
- 3 INSULATOR: PTFE

ELECTRICAL DATA:

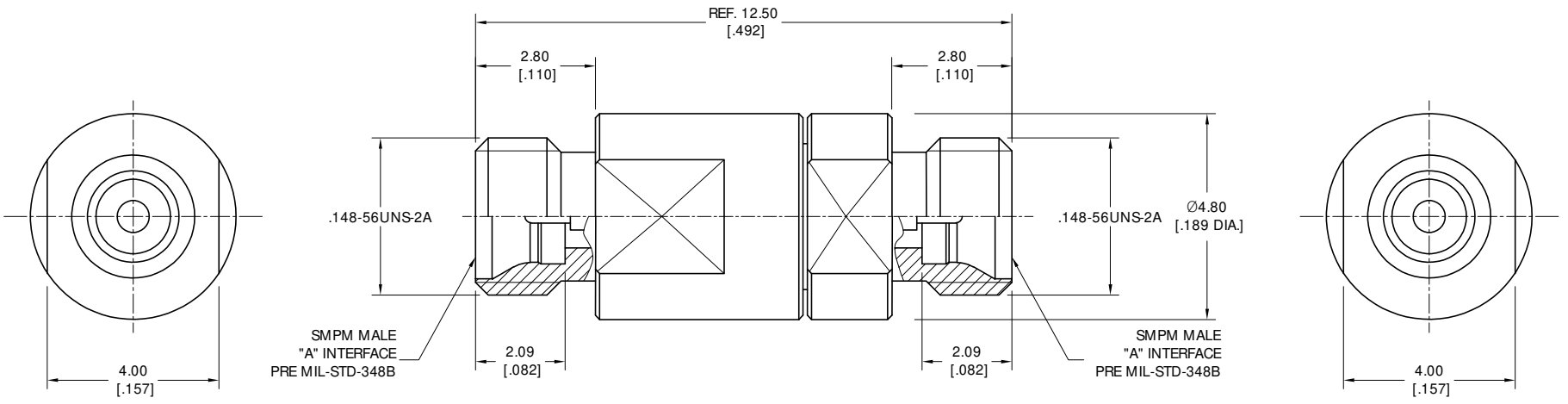
- 1 IMPEDANCE: 50 Ω
- 2 FREQUENCY RANGE: DC-65 GHZ
- 3 VSWR: 1.15 MAX. AT DC TO 18 GHZ
1.25 MAX. AT 18 TO 40 GHZ
1.45 MAX. AT 40 TO 65 GHZ

ENVIRONMENTAL DATA:

- 1 TEMPERATURE RANGE: -55°C~+125°C
- 2 2011/65/EU (RoHS): COMPLIANT

MECHANICAL DATA:

- 1 MATING TORQUE: 22±2 IN-OZ (0.16±0.01 N.M)
- 2 PROOF TOUQUE: 36 IN-OZ MIN. (0.26 N.M MIN.)



PART NO.	"A" INTERFACE
ANO 941-941-1542-1	FULL DETENT
ANO 941-941-1542-2	SMOOTH BORE

DRAWN	W. YANG	DATE	09/21/20
CHECKED	X. B. YANG	DATE	09/21/20
APPROVED	J QU	DATE	09/21/20
UNLESS OTHERWISE SPECIFIED DIMENSIONS ARE IN MILLIMETERS, DIMENSIONS IN [] ARE IN INCHES FOR CUSTOMER REFERENCE ONLY UNLESS OTHERWISE SPECIFIED TOLERANCE ARE:		THESE DRAWINGS AND SPECIFICATIONS ARE THE PROPERTY OF ANOISON ELECTRONICS LTD AND SHOULD NOT BE USED WITHOUT WRITTEN PERMISSION COPYRIGHT © 2020 ANOISON ELECTRONICS LTD	
.XX	±0.13 [0.005"]		
.X	±0.20 [0.008"]		
X	±0.50 [0.019"]		
.X°	±1°		
X°	±2°		

TITLE
ADAPTER, SMPM-T MALE TO SMPM-T MALE

VIEW

PART NO. ANO 941-941-1542			
SIZE A3	SCALE 5:1	SHEET 1/1	REV. A

D
C
B
A

4 3 2 1