

4

3

2

1

MATERIAL & FINISH:

- 1 BODY: STAINLESS STEEL, PASSIVATED
- 2 CENTER CONTACT: BERYLLIUM COPPER, GOLD PLATED
- 3 INSULATOR: PTFE

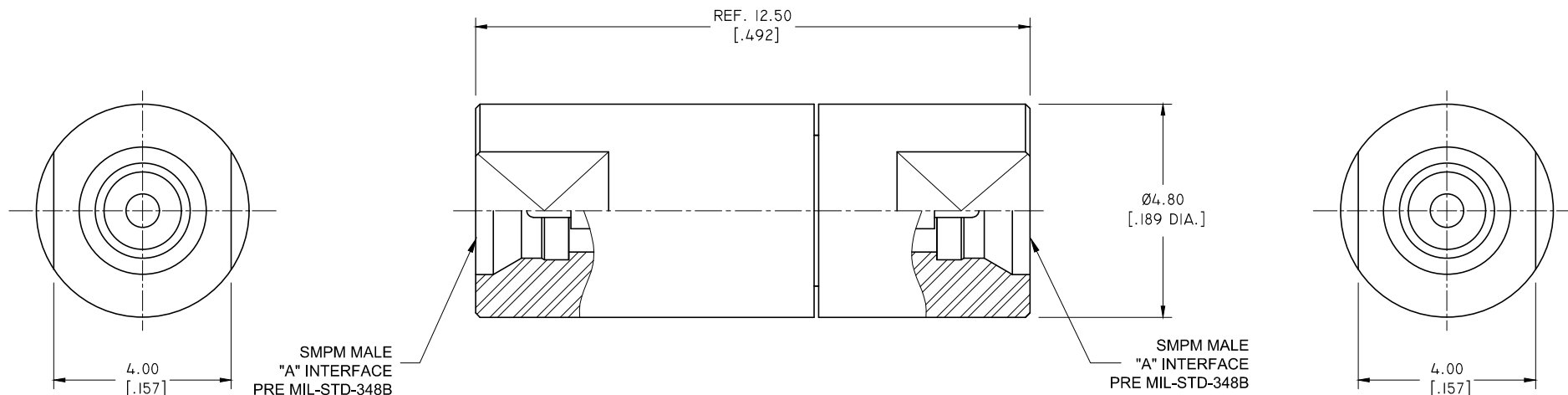
ELECTRICAL DATA:

- 1 IMPEDANCE: 50 Ω
- 2 FREQUENCY RANGE: DC~65 GHZ
- 3 VSWR: 1.15 MAX. AT DC TO 18 GHZ
1.25 MAX. AT 18 TO 40 GHZ
1.45 MAX. AT 40 TO 65 GHZ

ENVIRONMENTAL DATA:

- 1 TEMPERATURE RANGE: -55°C~+125°C
- 2 2011/65/EU (RoHS): COMPLIANT

REVISIONS			
REV.	DESCRIPTION	DATE	APPROVED
A	INITIAL RELEASE	05/25/18	J. QU



PART NO.	"A" INTERFACE
ANO 941-941-I456-1	FULL DETENT
ANO 941-941-I456-2	SMOOTH BORE

DRAWN	W. YANG	DATE	05/25/18
CHECKED	X. B. YANG	DATE	05/25/18
APPROVED	J. QU	DATE	05/25/18
UNLESS OTHERWISE SPECIFIED DIMENSIONS ARE IN MILLIMETERS. DIMENSIONS IN [] ARE IN INCHES FOR CUSTOMER REFERENCE ONLY UNLESS OTHERWISE SPECIFIED TOLERANCE ARE:		THESE DRAWINGS AND SPECIFICATIONS ARE THE PROPERTY OF ANOISON ELECTRONICS LTD AND SHOULD NOT BE USED WITHOUT WRITTEN PERMISSION COPYRIGHT © 2018 ANOISON ELECTRONICS LTD	
.XX	+0.13 [0.005"]		
.X	+0.20 [0.008"]		
X	+0.50 [0.019"]		
.X°	±1°		
X°	±2°		



TITLE ADAPTER, SMPM MALE TO SMPM MALE				
VIEW	PART NO. ANO 941-941-I456			
SIZE A3	SCALE 10:1	SHEET 1/1	REV. A	