

4

3

2

1

MATERIAL & FINISH:

- 1 BODY: BERYLLIUM COPPER ALLOY, GOLD PLATED
- 2 ANTI-ROCK GING: BRASS, GOLD PLATED
- 3 CENTER CONTACT: BERYLLIUM COPPER ALLOY, GOLD PLATED
- 4 CAP: BRASS, GOLD PLATED
- 5 INSULATOR: PTFE

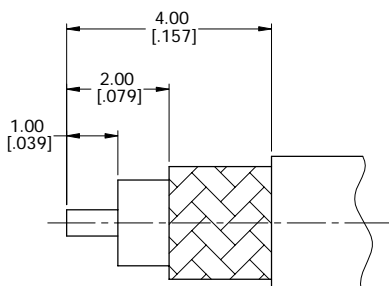
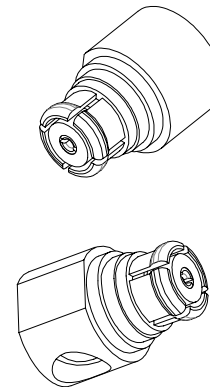
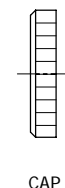
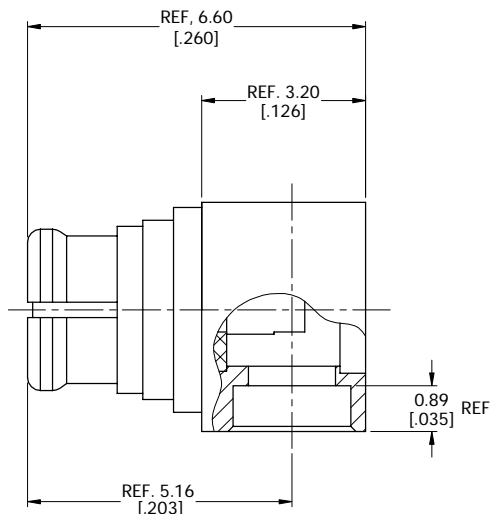
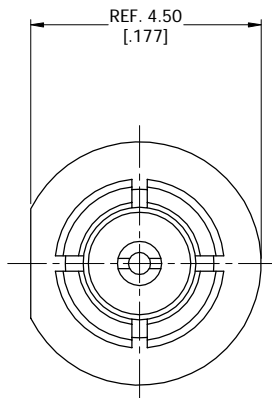
ENVIRONMENTAL DATA:

- 1 TEMPERATURE RANGE: -55°C ~ +165°C
- 2 2011/65/EU(RoHS) AND 2015/863/(RoHS): COMPLIANT
- 3 1999/45/EC(REACH): COMPLIANT

ELECTRICAL DATA:

- 1 IMPEDANCE: 50 Ω
- 2 FREQUENCY RANGE: DC~26.5 GHz

REVISIONS			
REV.	DESCRIPTION	DATE	APPROVED
A	INITIAL RELEASE	03/19/25	J. Q

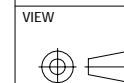


CABLE STRIPPING DIMENSIONS

DRAWN	X. Y	DATE	03/19/25
CHECKED	W. Y	DATE	03/19/25
APPROVED	J. Q	DATE	03/19/25
UNLESS OTHERWISE SPECIFIED DIMENSIONS ARE IN MILLIMETERS, DIMENSIONS IN [] ARE IN INCHES FOR CUSTOMER REFERENCE ONLY UNLESS OTHERWISE SPECIFIED TOLERANCE ARE:		THESE DRAWINGS AND SPECIFICATIONS ARE THE PROPERTY OF ANOISON ELECTRONICS LTD AND SHOULD NOT BE USED WITHOUT WRITTEN PERMISSION COPYRIGHT © 2025 ANOISON ELECTRONICS LTD	
	XX	±0.13 [.005"]	
	X	±0.20 [.008"]	
	X	±0.50 [.019"]	
	X°	±1°	
	X°	±2°	



TITLE
SMP RIGHT ANGLE FEMALE SOLDER FOR .086 CABLE



PART NO. ANO 9322-2176			
SIZE A3	SCALE 10:1	SHEET 1/1	REV. A

4

3

2

1