

4

3

2

1

MATERIAL & FINISH:

- 1 BODY: BERYLLIUM COPPER ALLOY, GOLD PLATED
- 2 CENTER CONTACT: BERYLLIUM COPPER ALLOY, GOLD PLATED
- 3 INSULATOR: PTFE
- 4 ANTI-ROCK RING: BRASS, GOLD PLATED

ELECTRICAL DATA:

- 1 IMPEDANCE: 50 Ω
- 2 FREQUENCY RANGE: DC~40 GHz
- 3 VSWR: 1.50 MAX.

ENVIRONMENTAL DATA:

- 1 TEMPERATURE RANGE: -55°C~+165°C
- 2 2011/65/EU (RoHS) AND 2015/863/(RoHS): COMPLIANT
- 3 1999/45/EC (REACH): COMPLIANT

REVISIONS			
REV.	DESCRIPTION	DATE	APPROVED
A	INITIAL RELEASE	10/27/22	J Q

D

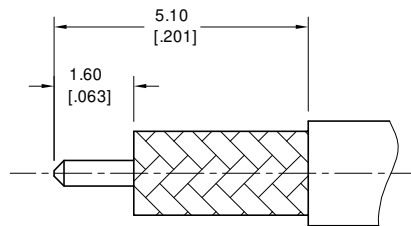
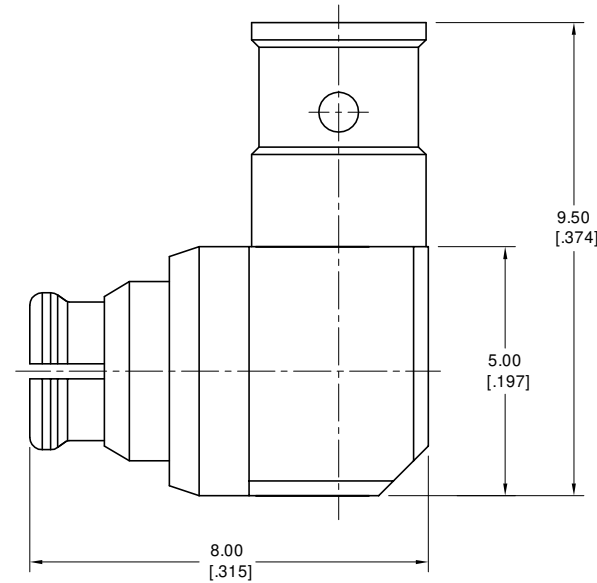
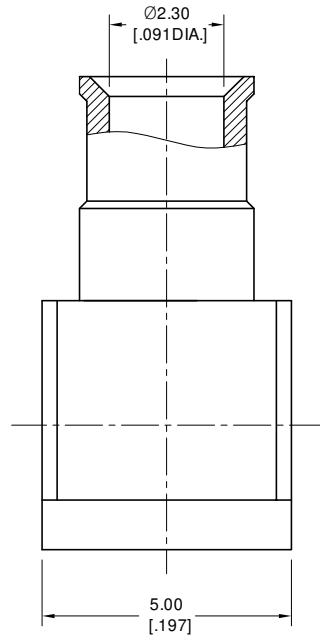
D

C

C

B

B



CABLE STRIPPING DIMENSIONS

A

A

DRAWN	P. C	DATE	10/27/22
CHECKED	X. Y	DATE	10/27/22
APPROVED	J Q	DATE	10/27/22
UNLESS OTHERWISE SPECIFIED DIMENSIONS ARE IN MILLIMETERS, DIMENSIONS IN [] ARE IN INCHES FOR CUSTOMER REFERENCE ONLY UNLESS OTHERWISE SPECIFIED TOLERANCE ARE:		THESE DRAWINGS AND SPECIFICATIONS ARE THE PROPERTY OF ANOISON ELECTRONICS LTD AND SHOULD NOT BE USED WITHOUT WRITTEN PERMISSION COPYRIGHT © 2022 ANOISON ELECTRONICS LTD	
.XX	±0.13 [.005"]		
.X	±0.20 [.008"]		
X	±0.50 [.019"]		
.X°	±1°		
X°	±2°		



TITLE			
SMP RIGHT ANGLE FEMALE SOLDER FOR .086 CABLE			
VIEW		PART NO.	
		ANO 9322-2146	
SIZE	SCALE	SHEET	REV.
A3	10:1	1/1	A

4

3

2

1