

4

3

2

1

**1.0 MATERIAL & FINISH**

- 1.1 BODY: BERYLLIUM COPPER ALLOY, GOLD PLATED
- 1.2 CENTER CONTACT: BERYLLIUM COPPER ALLOY, GOLD PLATED
- 1.3 INSULATOR: PTFE
- 1.4 ANTI-ROCK RING: BRASS, GOLD PLATED
- 1.5 CAP: BRASS, GOLD PLATED

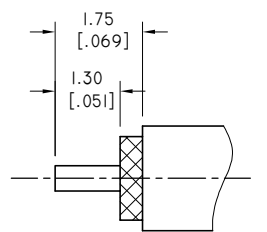
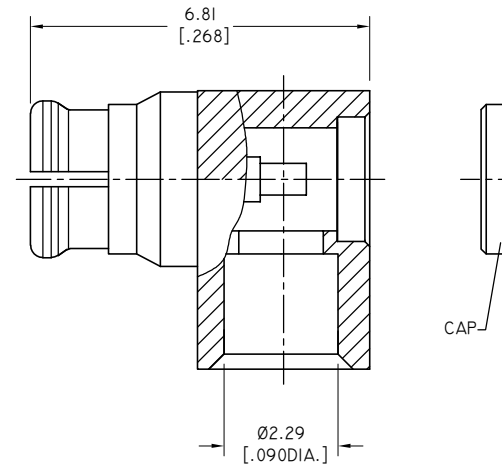
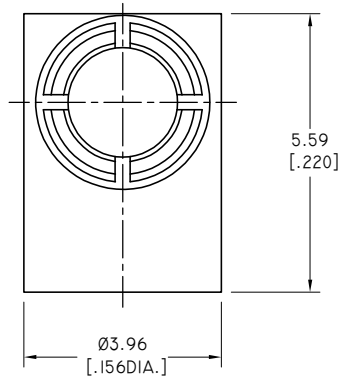
**2.0 ENVIRONMENTAL DATA:**

- 2.1 TEMPERATURE RANGE: -55°C~+165°C
- 2.2 2011/65/EU(RoHS) AND 2015/863/(RoHS): COMPLIANT
- 2.3 1999/45/EC(REACH): COMPLIANT

**3.0 ELECTRICAL DATA:**

- 3.1 IMPEDANCE: 50 Ω
- 3.2 FREQUENCY RANGE: DC~40GHZ
- 3.3 VSWR: ≤1.30 AT DC~18GHZ TYPICAL\*  
 ≤1.35 AT 18GHZ~26.5GHZ TYPICAL\*

REVISIONS			
REV.	DESCRIPTION	DATE	APPROVED
A	INITIAL RELEASE	12/18/18	J. Q
B	CHANGED ELECTRICAL DATA	10/11/19	J. Q
C	ADDED CAP	09/27/24	J. Q



CABLE STRIPPING DIMENSIONS

\* USERS ARE CAUTIONED THAT PERFORMANCE IS DEPENDENT ON THE SPECIFIC CABLE SELECTED AND CABLE PREPARATION AND TERMINATION, WHICH IS BEYOND THE CONTROL OF ANOISON ELECTRONICS

DRAWN	W. Y	DATE	09/24/24
CHECKED	X. Y	DATE	09/24/24
APPROVED	J. Q	DATE	09/24/24



UNLESS OTHERWISE SPECIFIED DIMENSIONS ARE IN MILLIMETERS, DIMENSIONS IN [ ] ARE IN INCHES FOR CUSTOMER REFERENCE ONLY UNLESS OTHERWISE SPECIFIED TOLERANCE ARE:	THESE DRAWINGS AND SPECIFICATIONS ARE THE PROPERTY OF ANOISON ELECTRONICS LTD AND SHOULD NOT BE USED WITHOUT WRITTEN PERMISSION COPYRIGHT © 2024 ANOISON ELECTRONICS LTD
.XX ±0.13 [.005"]	
.X ±0.20 [.008"]	
X ±0.50 [.019"]	
.X* ±1°	
X* ±2°	

TITLE			
SMP RIGHT ANGLE FEMALE SOLDER FOR .086 CABLE			
VIEW	PART NO.		
	ANO 9322-2100		
SIZE	SCALE	SHEET	REV.
A3	10:1	1/1	C

4

3

2

1