

4 3 2 1

REVISIONS

REV.	DESCRIPTION	DATE	APPROVED
A	INITIAL RELEASE	07/24/18	J. QU

**MATERIAL & FINISH:**

- 1 BODY: BERYLLIUM COPPER ALLOY, GOLD PLATED
- 2 CENTER CONTACT: BERYLLIUM COPPER ALLOY, GOLD PLATED
- 3 EMI/ANTI-ROCK RING: BERYLLIUM COPPER ALLOY, GOLD PLATED
- 4 INSULATOR: PTFE & PCTFE

**ELECTRICAL DATA:**

- 1 IMPEDANCE: 50 Ω
- 2 FREQUENCY RANGE: DC~26.5 GHZ
- 3 VSWR: 1.25 MAX. AT DC~26.5 GHZ

**ENVIRONMENTAL DATA:**

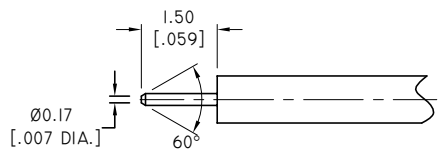
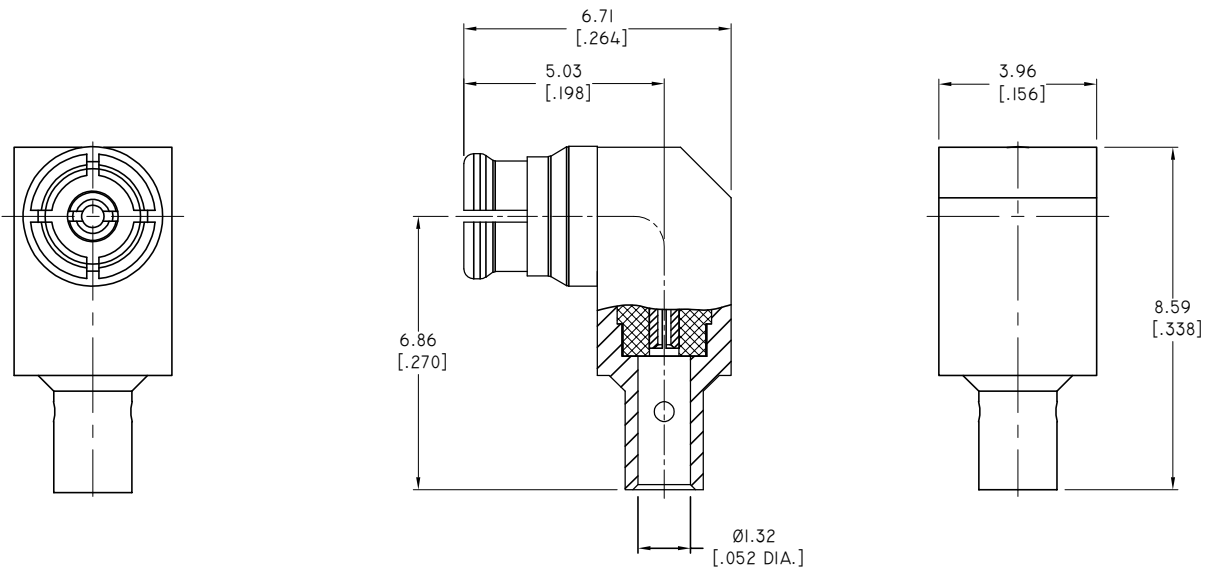
- 1 TEMPERATURE RANGE: -65°C~+165°C
- 2 2011/65/EU (RoHS): COMPLIANT

**APPLICABLE STANDARDS:**

- 1 SMP INTERFACE ACCORDING TO: MIL-STD-348

**MECHANICAL:**

- 1 DURABILITY: 100 CYCLES MIN.



CABLE STRIPPING DIMENSIONS

DRAWN	W. YANG	DATE	07/24/18
CHECKED	X. B. YANG	DATE	07/24/18
APPROVED	J. QU	DATE	07/24/18
UNLESS OTHERWISE SPECIFIED DIMENSIONS ARE IN MILLIMETERS, DIMENSIONS IN [ ] ARE IN INCHES FOR CUSTOMER REFERENCE ONLY UNLESS OTHERWISE SPECIFIED TOLERANCE ARE:		THESE DRAWINGS AND SPECIFICATIONS ARE THE PROPERTY OF ANOISON ELECTRONICS LTD AND SHOULD NOT BE USED WITHOUT WRITTEN PERMISSION COPYRIGHT © 2018 ANOISON ELECTRONICS LTD	
.XX	±0.13 [ .005" ]		
.X	±0.20 [ .008" ]		
X	±0.50 [ .019" ]		
.X°	±1°		
X°	±2°		

**ANOISON**

TITLE  
SMP SWEEP RIGHT ANGLE FEMALE SOLDER FOR .047 S/R CABLE CAPTIVATED CONTACT

VIEW

PART NO.  
ANO 9322-2093

SIZE A3	SCALE 8:1	SHEET 1/1	REV. A
------------	--------------	--------------	-----------

4 3 2 1