

1.0 MATERIAL & FINISH

1.1 BODY: BERYLLIUM COPPER ALLOY, GOLD PLATED

1.2 CENTER CONTACT: BERYLLIUM COPPER ALLOY, GOLD PLATED

1.3 INSULATOR: PTFE

2.0 ENVIRONMENTAL DATA:

2.1 TEMPERATURE RANGE: -55°C~+165°C

2.2 2011/65/EU (RoHS): COMPLIANT

3.0 ELECTRICAL SPECIFICATIONS:

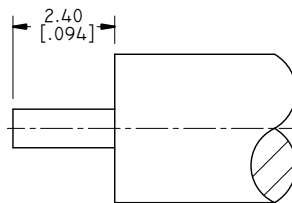
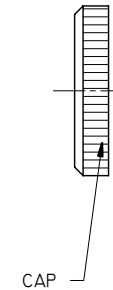
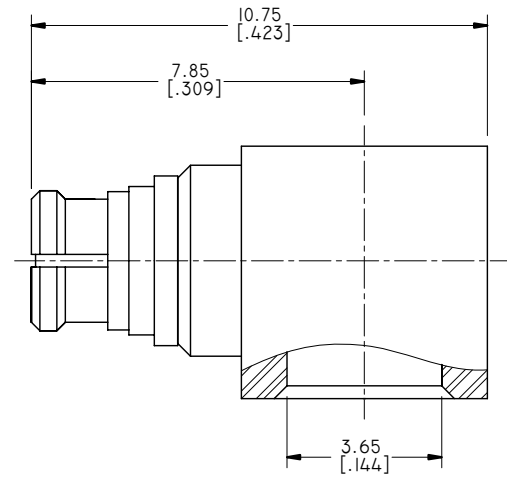
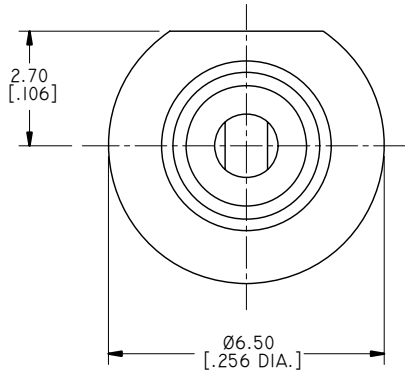
3.1 IMPEDANCE: 50 Ω

3.2 FREQUENCY RANGE: DC~40GHZ

3.3 VSWR: ≤1.20 AT DC~3GHZ

≤1.35 AT 3~6GHZ

REVISIONS			
REV.	DESCRIPTION	DATE	APPROVED
A	INITIAL RELEASE	09/03/14	J. QU
B	DRAWING FORMAT CHANGED	08/09/17	J. QU



CABLE STRIPPING DIMENSIONS

DRAWN	P. CHEN	DATE	08/09/17
CHECKED	L. YANG	DATE	08/09/17
APPROVED	J. QU	DATE	08/09/17
UNLESS OTHERWISE SPECIFIED DIMENSIONS ARE IN MILLIMETERS, DIMENSIONS IN [] ARE IN INCHES FOR CUSTOMER REFERENCE ONLY UNLESS OTHERWISE SPECIFIED TOLERANCE ARE:		THESE DRAWINGS AND SPECIFICATIONS ARE THE PROPERTY OF ANOISON ELECTRONICS LTD AND SHOULD NOT BE USED WITHOUT WRITTEN PERMISSION COPYRIGHT © 2017 ANOISON ELECTRONICS LTD	
.XX	±0.13 [.005"]		
.X	±0.20 [.008"]		
X	±0.50 [.019"]		
.X°	±1°		
X°	±2°		



TITLE
SMP R/A FEMALE SOLDER FOR .141 CABLE

VIEW	PART NO. ANO 9322-2037		
SIZE A3	SCALE 8:1	SHEET 1/1	REV. B