

4

3

2

1

MATERIAL & FINISH:

- 1 BODY: BERYLLIUM COPPER ALLOY, GOLD PLATED
- 2 CENTER CONTACT: BERYLLIUM COPPER ALLOY, GOLD PLATED
- 3 INSULATOR: PTFE
- 4 CRIMP FERRULE: COPPER, NICKEL PLATED

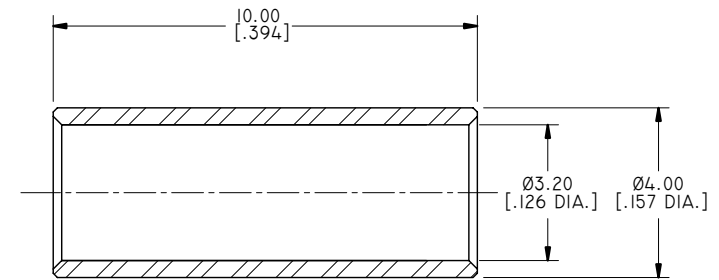
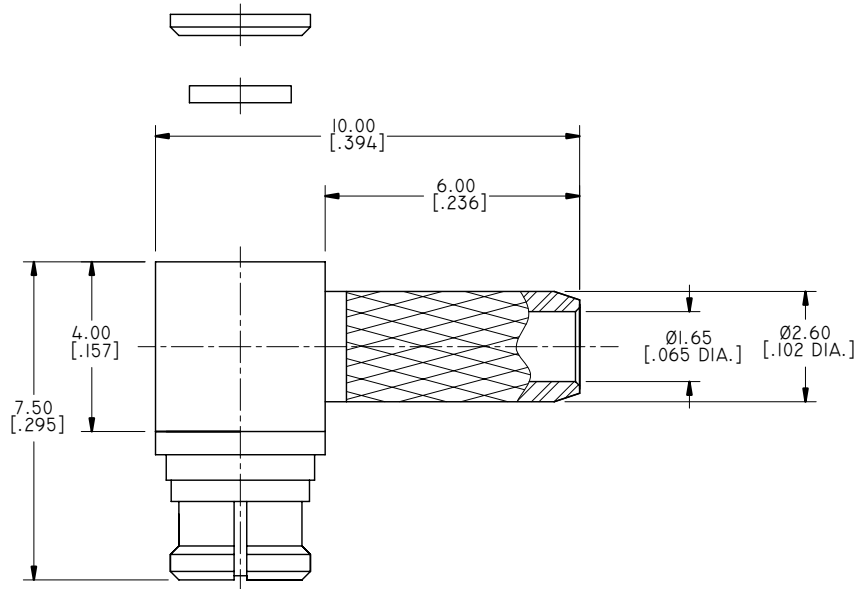
ELECTRICAL DATA:

- 1 IMPEDANCE: 50 Ω
- 2 FREQUENCY RANGE: DC~6 GHZ

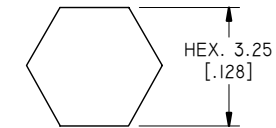
ENVIRONMENTAL DATA:

- 1 TEMPERATURE RANGE: -55°C~+125°C
- 2 2011/65/EU (RoHS): COMPLIANT

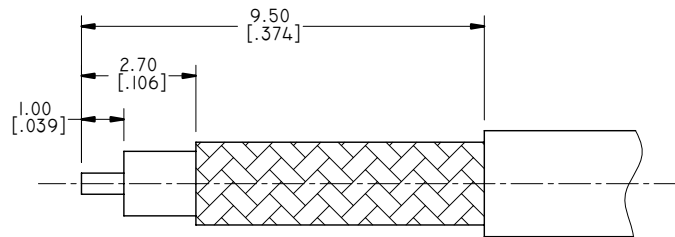
REVISIONS			
REV.	DESCRIPTION	DATE	APPROVED
A	INITIAL RELEASE	05/06/13	J. QU
B	DRAWING FORMAT CHANGED	08/08/17	J. QU



HEX.CRIMP TOOL



CRIMP WIDTH: 7.5



CABLE STRIPPING DIMENSIONS

DRAWN	P. CHEN	DATE	08/08/17
CHECKED	L. YANG	DATE	08/08/17
APPROVED	J. QU	DATE	08/08/17
UNLESS OTHERWISE SPECIFIED DIMENSIONS ARE IN MILLIMETERS. DIMENSIONS IN [] ARE IN INCHES FOR CUSTOMER REFERENCE ONLY UNLESS OTHERWISE SPECIFIED TOLERANCE ARE:		THESE DRAWINGS AND SPECIFICATIONS ARE THE PROPERTY OF ANOISON ELECTRONICS LTD AND SHOULD NOT BE USED WITHOUT WRITTEN PERMISSION COPYRIGHT © 2017 ANOISON ELECTRONICS LTD	
.XX	±0.13 [.005"]		
.X	±0.20 [.008"]		
X	±0.50 [.019"]		
.X°	±1°		
X°	±2°		



TITLE			
SMP R/A FEMALE CRIMP FOR RG316/LMRI00 CABLE			
VIEW		PART NO.	
		ANO 9322-2022	
SIZE	SCALE	SHEET	REV.
A3	8:1	1/1	B

4

3

2

1