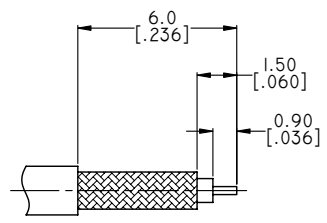
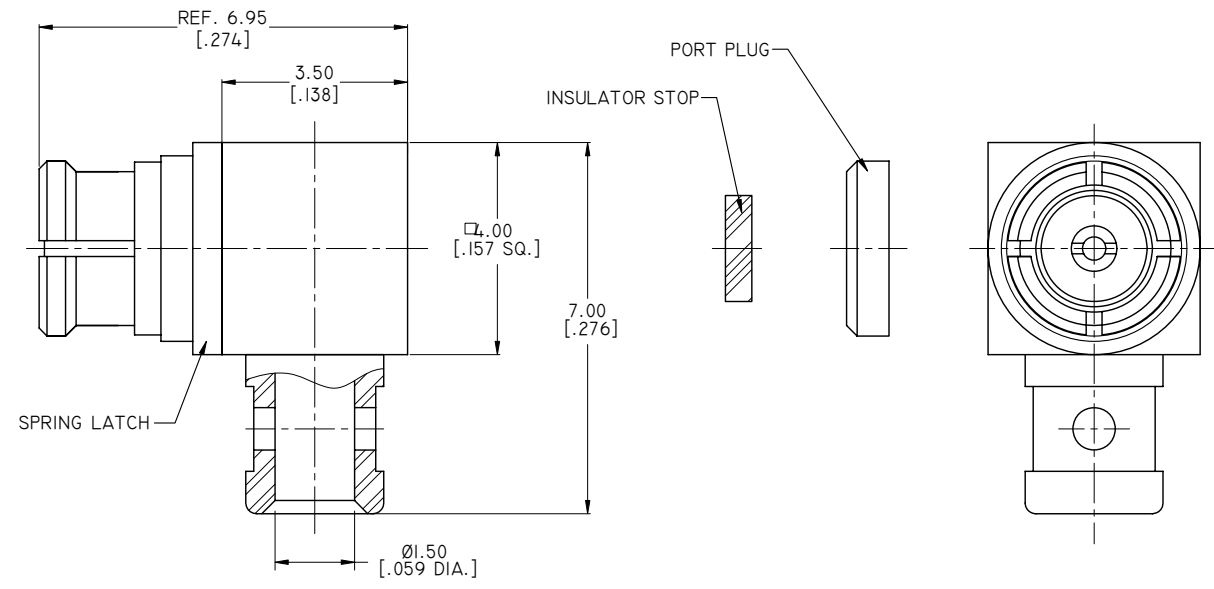


REVISIONS			
REV.	DESCRIPTION	DATE	APPROVED
B	STRUCTURE CHANGED	08/10/13	J. QU
C	ADDED VIEW	08/29/13	J. QU
D	CHANGED ELECTRICAL DATA	10/31/16	J. QU

1.0 MATERIAL & FINISH  
 1.1 BODY: BERYLLIUM COPPER ALLOY, GOLD PLATED  
 1.2 SPRING LATCH: BRASS, GOLD PLATED  
 1.3 CENTER CONTACT: BERYLLIUM COPPER ALLOY, GOLD PLATED  
 1.4 INSULATOR: PTFE

2.0 ENVIRONMENTAL DATA:  
 2.1 TEMPERATURE RANGE: -55°C~+125°C  
 2.2 2011/65/EU (RoHS): COMPLIANT

3.0 ELECTRICAL DATA:  
 3.1 IMPEDANCE: 50 Ω  
 3.2 FREQUENCY RANGE: DC~40GHZ  
 3.3 VSWR: ≤1.15 AT DC~3GHZ TYPICAL\*



CABLE STRIPPING DIMENSIONS

\* USERS ARE CAUTIONED THAT PERFORMANCE IS DEPENDENT ON THE SPECIFIC CABLE SELECTED AND CABLE PREPARATION AND TERMINATION, WHICH IS BEYOND THE CONTROL OF ANOISON ELECTRONICS.

DRAWN	P. CHEN	DATE	10/31/16	
CHECKED	X. B. YANG	DATE	10/31/16	
APPROVED	J. QU	DATE	10/31/16	
<small>UNLESS OTHERWISE SPECIFIED DIMENSIONS ARE IN MILLIMETERS. DIMENSIONS IN [ ] ARE IN INCHES FOR CUSTOMER REFERENCE ONLY UNLESS OTHERWISE SPECIFIED TOLERANCE ARE:</small>		<small>THESE DRAWINGS AND SPECIFICATIONS ARE THE PROPERTY OF ANOISON ELECTRONICS LTD AND SHOULD NOT BE USED WITHOUT WRITTEN PERMISSION COPYRIGHT © 2016 ANOISON ELECTRONICS LTD</small>		TITLE
				SMP RIGHT ANGLE FEMALE SOLDER FOR RG178 CABLE
		VIEW		PART NO.
		SIZE	A3	ANO 9322-2012
		SCALE	10:1	SHEET
			I/1	REV.
				D