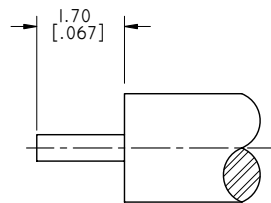
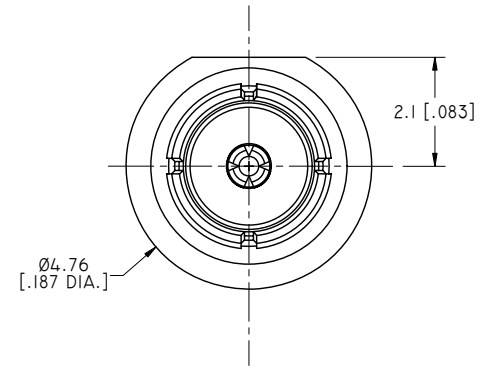
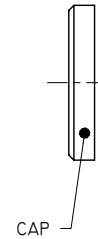
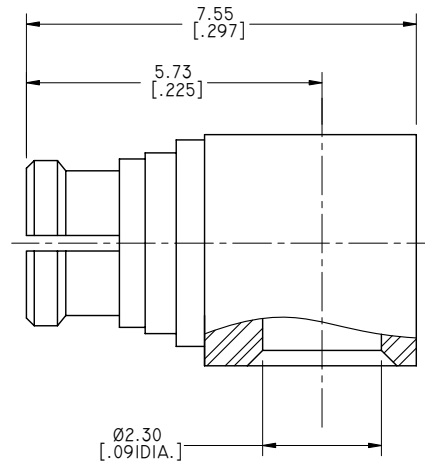


REVISIONS			
REV.	DESCRIPTION	DATE	APPROVED
F	CHANGED ELECTRICAL DATA	10/27/16	J. QU
G	CHANGED ELECTRICAL DATA	10/11/19	J. QU

1.0 MATERIAL & FINISH  
 1.1 BODY: BERYLLIUM COPPER ALLOY, GOLD PLATED  
 1.2 CENTER CONTACT: BERYLLIUM COPPER ALLOY, GOLD PLATED  
 1.3 INSULATOR: PTFE  
 1.4 ANTI-ROCK RING: BRASS, GOLD PLATED

2.0 ENVIRONMENTAL DATA:  
 2.1 TEMPERATURE RANGE: -55°C~+165°C  
 2.2 2011/65/EU(ROHS) AND 2015/863/(ROHS): COMPLIANT  
 2.3 1999/45/EC(REACH): COMPLIANT

3.0 ELECTRICAL DATA:  
 3.1 IMPEDANCE: 50 Ω  
 3.2 FREQUENCY RANGE: DC~40GHZ  
 3.3 VSWR: ≤1.20 AT DC~6GHZ TYPICAL\*  
 ≤1.30 AT 6GHZ~12GHZ TYPICAL\*



CABLE STRIPPING DIMENSIONS

\* USERS ARE CAUTIONED THAT PERFORMANCE IS DEPENDENT ON THE SPECIFIC CABLE SELECTED AND CABLE PREPARATION AND TERMINATION, WHICH IS BEYOND THE CONTROL OF ANOISON ELECTRONICS

DRAWN	P. CHEN	DATE	10/11/19	
CHECKED	X. B. YANG	DATE	10/11/19	
APPROVED	J. QU	DATE	10/11/19	
UNLESS OTHERWISE SPECIFIED DIMENSIONS ARE IN MILLIMETERS, DIMENSIONS IN [ ] ARE IN INCHES FOR CUSTOMER REFERENCE ONLY UNLESS OTHERWISE SPECIFIED TOLERANCE ARE: .XX ±0.13 [.005"] .X ±0.20 [.008"] X ±0.50 [.019"] .X° ±1° X° ±2°		THESE DRAWINGS AND SPECIFICATIONS ARE THE PROPERTY OF ANOISON ELECTRONICS LTD AND SHOULD NOT BE USED WITHOUT WRITTEN PERMISSION COPYRIGHT © 2019 ANOISON ELECTRONICS LTD		TITLE SMP RIGHT ANGLE FEMALE SOLDER FOR .086 CABLE
VIEW		PART NO. ANO 9322-2003		SIZE A3 SCALE 10:1 SHEET 1/1 REV. G