

MATERIAL & FINISH:

- 1 BODY: STAINLESS STEEL, PASSIVATED
- 2 CENTER CONTACT: BERYLLIUM COPPER ALLOY, GOLD PLATED
- 3 PCB BASE: BRASS, GOLD PLATED
- 4 INSULATOR: PTFE

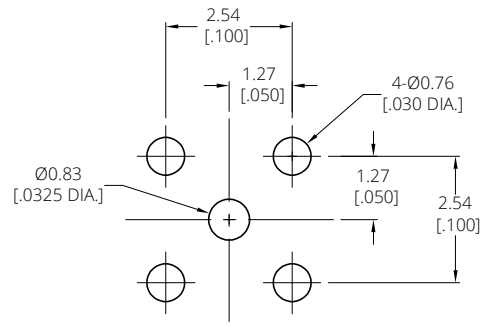
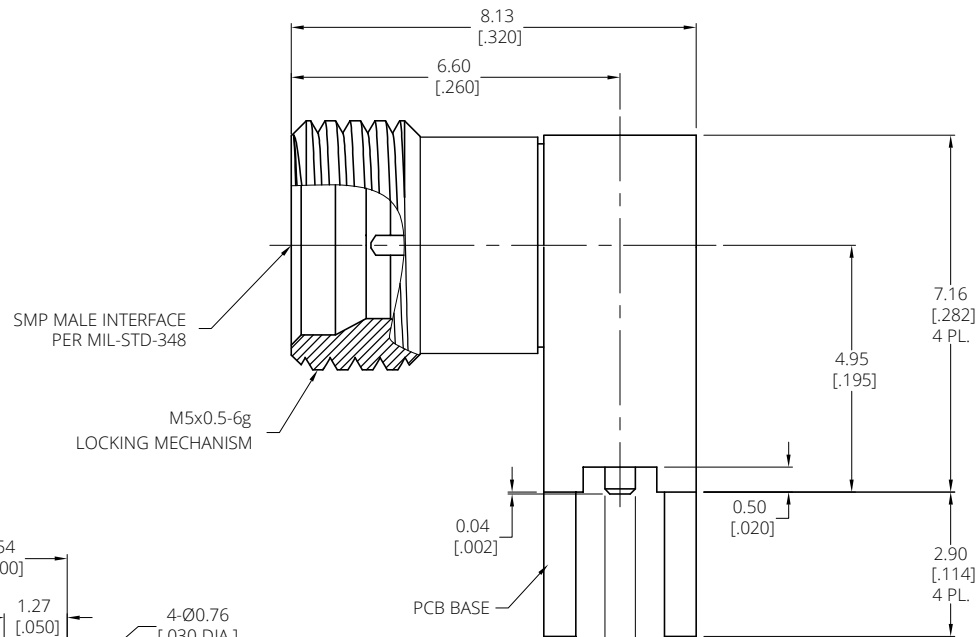
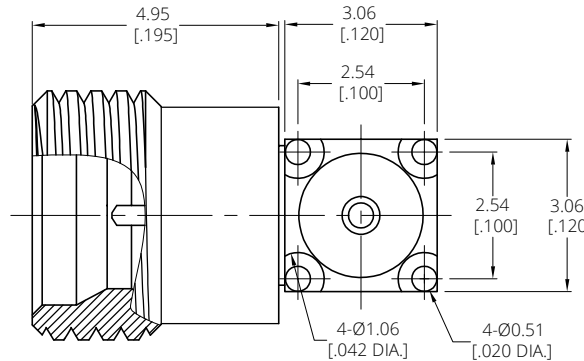
ELECTRICAL DATA:

- 1 IMPEDANCE: 50 Ω
- 2 FREQUENCY RANGE: DC~20 GHz

ENVIRONMENTAL DATA:

- 1 TEMPERATURE RANGE: -55°C~+165°C
- 2 2011/65/EU(RoHS) AND 2015/863/(RoHS): COMPLIANT
- 3 1999/45/EC(REACH): COMPLIANT

REVISIONS			
REV.	DESCRIPTION	DATE	APPROVED
A	INITIAL RELEASE	09/04/24	J. Q



PART NO.	TYPE
ANO 9321-4170-1	FULL DETENT
ANO 9321-4170-2	LIMITED DETENT
ANO 9321-4170-3	SMOOTH BORE

DRAWN	W. Y	DATE	09/04/24
CHECKED	X. Y	DATE	09/04/24
APPROVED	J. Q	DATE	09/04/24

UNLESS OTHERWISE SPECIFIED DIMENSIONS ARE IN MILLIMETERS, DIMENSIONS IN [] ARE IN INCHES FOR CUSTOMER REFERENCE ONLY UNLESS OTHERWISE SPECIFIED TOLERANCE ARE:

XX	±0.13 [005"]
X	±0.20 [008"]
x	±0.50 [019"]
x°	±1°
x"	±2°

THESE DRAWINGS AND SPECIFICATIONS ARE THE PROPERTY OF ANOISON ELECTRONICS LTD AND SHOULD NOT BE USED WITHOUT WRITTEN PERMISSION COPYRIGHT © 2024 ANOISON ELECTRONICS LTD



TITLE			
SMP-T R/A MALE RECEPTACLE FOR PCB			
VIEW		PART NO.	
		ANO 9321-4170	

SIZE	SCALE	SHEET	REV.
A3	10:1	1/1	A