

MATERIAL & FINISH:

1. OUTER CONTACT: BRASS, GOLD PLATED
2. CENTER CONTACT: PHOSPHOR BRONZE, GOLD PLATED
3. INSULATOR: PTFE

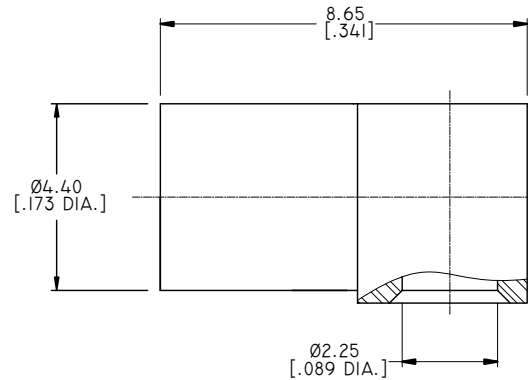
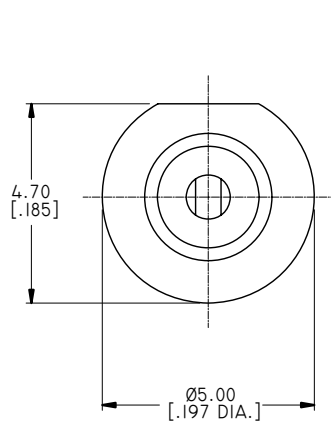
ELECTRICAL DATA:

1. IMPEDANCE: 50 Ω
2. FREQUENCY RANGE: DC-12.4GHZ

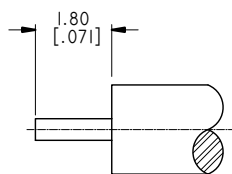
ENVIRONMENTAL DATA:

1. TEMPERATURE RANGE: -40°C~+85°C
2. 2011/65/EU (RoHS): COMPLIANT

REVISIONS			
REV.	DESCRIPTION	DATE	APPROVED
A	INITIAL RELEASE	02/27/15	J. QU
B	DRAWING FORMAT CHANGED	08/09/17	J. QU



PART NO.	TYPE	FORCE TO ENGAGE	FORCE TO DISENGAGE
ANO 932I-2045-1	FULL DETENT	68 N MAX.	22 N MIN.
ANO 932I-2045-2	LIMITED DETENT	45 N MAX.	9 N MIN.
ANO 932I-2045-3	SMOOTH BORE	9 N MAX.	2.2 N MIN.



CABLE STRIPPING DIMENSIONS

DRAWN	P. CHEN	DATE	08/09/17
CHECKED	L. YANG	DATE	08/09/17
APPROVED	J. QU	DATE	08/09/17
UNLESS OTHERWISE SPECIFIED DIMENSIONS ARE IN MILLIMETERS. DIMENSIONS IN [] ARE IN INCHES FOR CUSTOMER REFERENCE ONLY UNLESS OTHERWISE SPECIFIED TOLERANCE ARE:		THESE DRAWINGS AND SPECIFICATIONS ARE THE PROPERTY OF ANOISON ELECTRONICS LTD AND SHOULD NOT BE USED WITHOUT WRITTEN PERMISSION COPYRIGHT © 2017 ANOISON ELECTRONICS LTD	
.XX	±0.13 [.005"]		
.X	±0.20 [.008"]		
X	±0.50 [.019"]		
.X°	±1°		
X°	±2°		



TITLE			
SMP R/A MALE SOLDER FOR .086 CABLE			
VIEW		PART NO.	
		ANO 932I-2045	
SIZE	SCALE	SHEET	REV.
A3	8:1	I/1	B