

4 3 2 1

REVISIONS

REV.	DESCRIPTION	DATE	APPROVED
A	INITIAL RELEASE	08/20/21	J. QU

MATERIAL & FINISH:

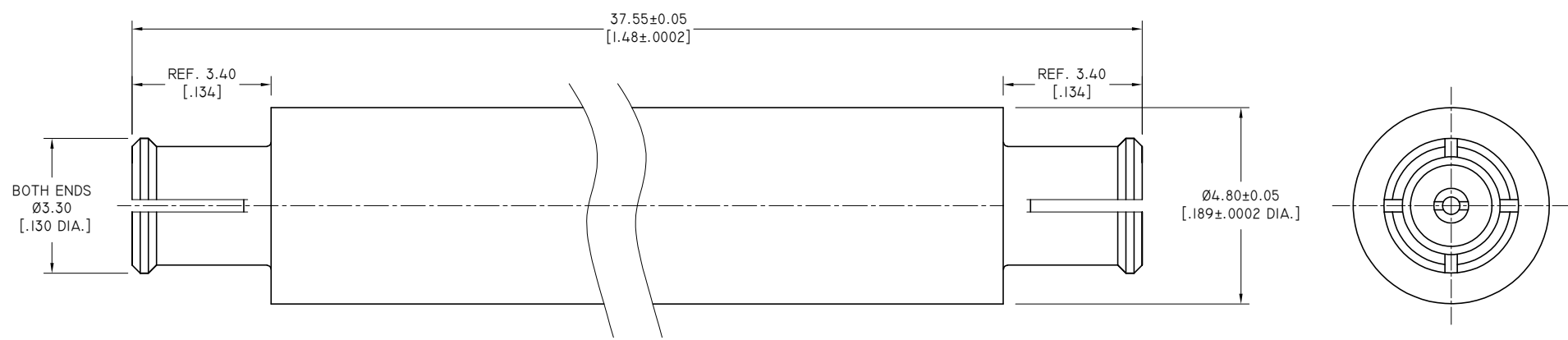
- 1 BODY: BRASS, GOLD PLATED
- 2 OUTER CONTACT: BERYLLIUM COPPER ALLOY, GOLD PLATED
- 3 CENTER CONTACT: BERYLLIUM COPPER ALLOY, GOLD PLATED
- 4 INSULATOR: PTFE

ENVIRONMENTAL DATA:

- 1 TEMPERATURE RANGE: -40°C~+125°C
- 2 2011/65/EU (RoHS): COMPLIANT

ELECTRICAL DATA:

- 1 IMPEDANCE: 50 Ω
- 2 FREQUENCY RANGE: DC~26.5GHZ
- 3 VSWR: 1.07 MAX. AT DC TO 4GHZ
1.22 MAX. AT 4 TO 18GHZ
- 4 INSERTION LOSS: 0.1X√F(GHZ) DB MAX.
- 5 VOLTAGE RATING: 335 V MAX.
- 6 DIELECTRIC WITHSTANDING VOLTAGE: 500 V MIN.
- 7 INSULATION RESISTANCE: 5000 MΩ MIN.



DRAWN	W. YANG	DATE	08/20/21
CHECKED	X. B. YANG	DATE	08/20/21
APPROVED	J. QU	DATE	08/20/21
UNLESS OTHERWISE SPECIFIED DIMENSIONS ARE IN MILLIMETERS, DIMENSIONS IN [] ARE IN INCHES FOR CUSTOMER REFERENCE ONLY UNLESS OTHERWISE SPECIFIED TOLERANCE ARE:		THESE DRAWINGS AND SPECIFICATIONS ARE THE PROPERTY OF ANOISON ELECTRONICS LTD AND SHOULD NOT BE USED WITHOUT WRITTEN PERMISSION COPYRIGHT © 2021 ANOISON ELECTRONICS LTD	
.XX	±0.13 [.005"]		
.X	±0.20 [.008"]		
X°	±0.50 [.019"]		
X°	±1°		
X°	±2°		

TITLE
ADAPTER, SMP FEMALE TO SMP FEMALE

PART NO.
ANO 932-932-I567

VIEW		SIZE	SCALE	SHEET	REV.
		A3	10:1	1/1	A

4 3 2 1