

MATERIAL & FINISH:

- 1. BODY: BERYLLIUM COPPER ALLOY, GOLD PLATED
- 2. CENTER CONTACT: BERYLLIUM COPPER ALLOY, GOLD PLATED
- 3. SPRING: STAINLESS STEEL, PASSIVATED
- 4. INSULATOR: PTFE/PEI

ELECTRICAL DATA:

- 1. IMPEDANCE: 50 Ω
- 2. FREQUENCY RANGE: DC~18GHZ
- 3. VSWR: 1.20 MAX. AT DC~12GHZ  
1.35 MAX. AT 12~18GHZ
- 4. INSERTION LOSS: 0.55 DB MAX.
- 5. VOLTAGE RATING: 335 V MAX.
- 6. DIELECTRIC WITHSTANDING VOLTAGE: 500 V MAX.

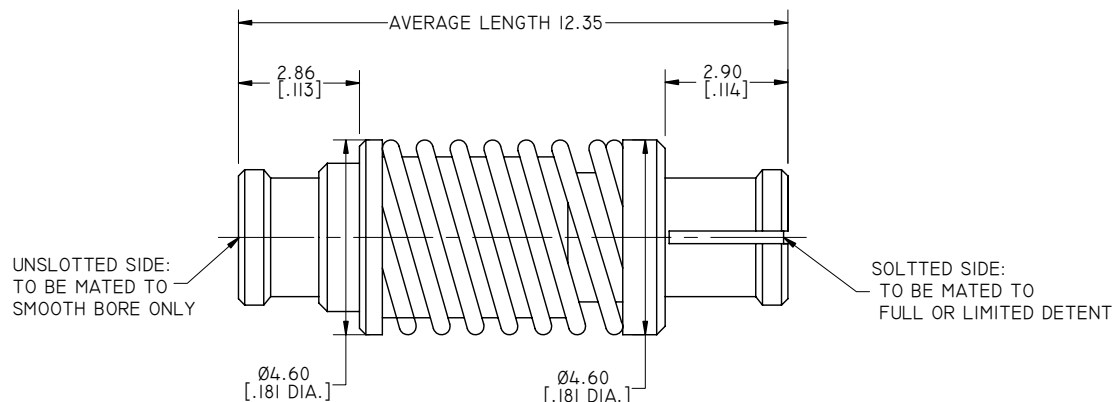
ENVIRONMENTAL DATA:

- 1. TEMPERATURE RANGE: -40°C~+125°C
- 2. 2011/65/EU ( RoHS): COMPLIANT

MECHANICAL DATA:

- 1. CENTER CONTACT RETENTION:  
AXIAL FORCE-MATING END: 6.7 N MIN.  
AXIAL FORCE-OPPOSITE END: 6.7 N MIN.
- 2. MATING LIFE: 1000 CYCLES MIN.
- 3. PRE-LOAD -NO COMPRESSION  
OVERALL LENGTH L=12.98 MM  
PRE-LOAD=9 N MINI.
- 4. MAXIMUM COMPRESSION=1.27 MM  
OVERALL LENGTH L=11.71 MM  
LOAD F=13.6 N MAX.

REVISIONS			
REV.	DESCRIPTION	DATE	APPROVED
A	INITIAL RELEASE	08/18/14	J. QU
B	ELECTRICAL AND MECHANICAL DATA CHANGED	08/22/14	J. QU



DRAWN	X. B. YANG	DATE	08/22/14
CHECKED	L. YANG	DATE	08/22/14
APPROVED	J. QU	DATE	08/22/14
UNLESS OTHERWISE SPECIFIED DIMENSIONS ARE IN MILLIMETERS. DIMENSIONS IN [ ] ARE IN INCHES FOR CUSTOMER REFERENCE ONLY UNLESS OTHERWISE SPECIFIED TOLERANCE ARE:		THESE DRAWINGS AND SPECIFICATIONS ARE THE PROPERTY OF ANOISON ELECTRONICS LTD AND SHOULD NOT BE USED WITHOUT WRITTEN PERMISSION COPYRIGHT © 2014 ANOISON ELECTRONICS LTD	
.XX	±0.13 [ .005"		
.X	±0.20 [ .008"		
X	±0.50 [ .019"		
.X°	±1°		
X°	±2°		



TITLE			
ADAPTER, SMP FEMALE TO SMP FEMALE			
VIEW	PART NO.		
	ANO 932-932-1287		
SIZE	SCALE	SHEET	REV.
A3	8:1	1/1	B