

4

3

2

1

MATERIAL & FINISH:

- 1 BODY: BERYLLIUM COPPER ALLOY, GOLD PLATED
- 2 CENTER CONTACT: BERYLLIUM COPPER ALLOY, GOLD PLATED
- 3 EMI/ANTI-ROCK RING: BRASS, GOLD PLATED

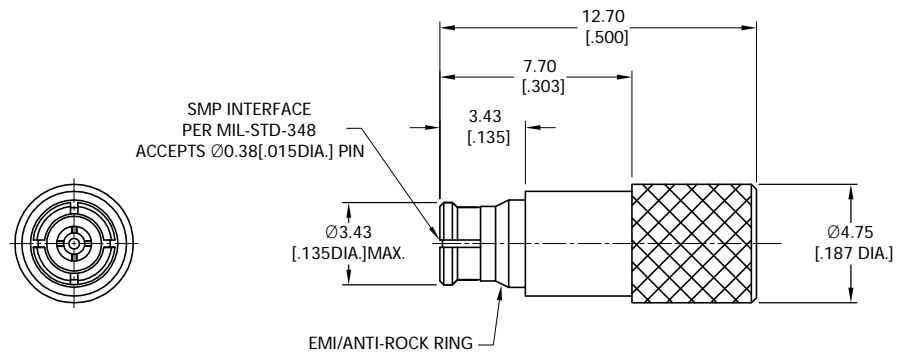
ELECTRICAL DATA:

IMPEDANCE: 50 Ω

REVISIONS			
REV.	DESCRIPTION	DATE	APPROVED
A	INITIAL RELEASE	03/05/24	J. Q

ENVIRONMENTAL DATA:

- 1 TEMPERATURE RANGE: -55 °C ~ +125 °C
- 2 2011/65/EU(RoHS) AND 2015/863/(RoHS): COMPLIANT
- 3 1999/2006/EC(REACH): COMPLIANT



DRAWN	P. C	DATE	03/05/24
CHECKED	W. Y	DATE	03/05/24
APPROVED	J. Q	DATE	03/05/24



UNLESS OTHERWISE SPECIFIED DIMENSIONS ARE IN MILLIMETERS, DIMENSIONS IN [] ARE IN INCHES FOR CUSTOMER REFERENCE ONLY UNLESS OTHERWISE SPECIFIED TOLERANCE ARE:

.XX	±0.13 [.005"]
.X	±0.20 [.008"]
X	±0.50 [.019"]
X"	±1°
X°	±2°

THESE DRAWINGS AND SPECIFICATIONS ARE THE PROPERTY OF ANOISON ELECTRONICS LTD AND SHOULD NOT BE USED WITHOUT WRITTEN PERMISSION COPYRIGHT © 2024 ANOISON ELECTRONICS LTD

TITLE			
SMP FEMALE SHORT			
VIEW	PART NO.		
	ANO 932-801		
SIZE	SCALE	SHEET	REV.
A3	5:1	1/1	A

4

3

2

1