

MATERIAL

- 1 BODY: BERYLLIUM COPPER ALLOY C17300 PER ASTM B196, COND 1/2H TO H
- 2 CENTER CONTACT: BERYLLIUM COPPER ALLOY C17300 PER ASTM B196, COND 1/2H TO H
- 3 INSULATOR: PTFE PER ASTM-D1710

FINISH:

- 1 BODY: GOLD, PER ASTM B488, TYPE II CODE C, CLASS 1.27 MIN. μM OVER NICKEL, 2~4 μM
- 2 CENTER CONTACT: GOLD, PER ASTM B488, TYPE II CODE C, CLASS 1.27 MIN. μM OVER NICKEL, 2~4 μM

ELECTRICAL DATA:

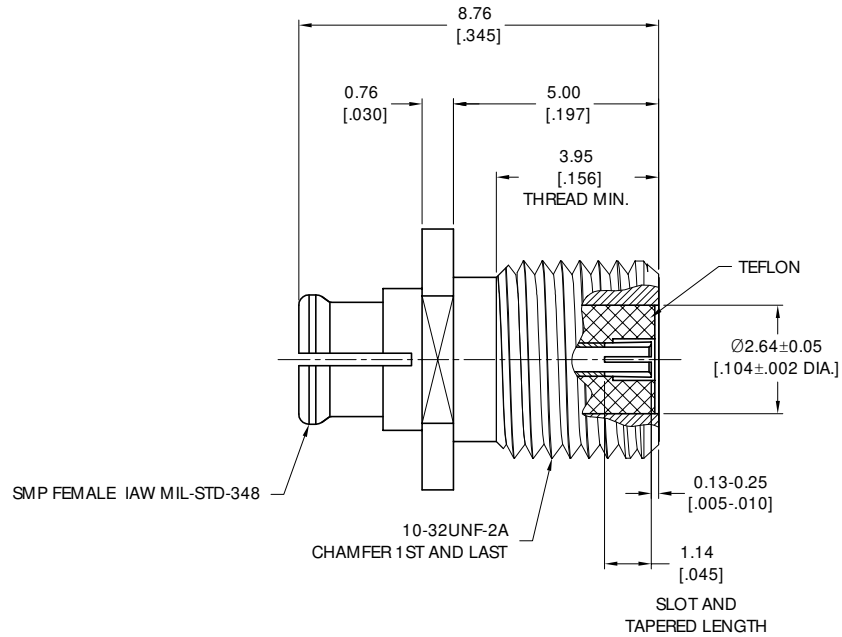
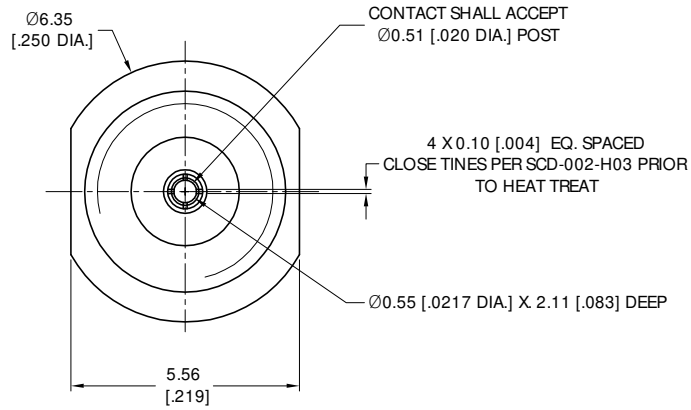
- 1 IMPEDANCE: 50 OHMS

ENVIRONMENTAL DATA:

- 1 TEMPERATURE RANGE: -55 °C ~ +125 °C
- 2 2015/863/(RoHS): COMPLIANT
- 3 1907/2006/EC(REACH) AND 1999/45/EC(REACH): COMPLIANT

REVISIONS

REV.	DESCRIPTION	DATE	APPROVED
F	REVISE METRIC DIM ON THREAD LENGTH	08/13/13	J QU
G	DRAWING FORMAT CHANGED	08/09/17	J QU
H	HOLE CALLOUT ADDED	07/24/20	J QU



DRAWN	X. B. YANG	DATE	07/24/20
CHECKED	W. YANG	DATE	07/24/20
APPROVED	J QU	DATE	07/24/20
UNLESS OTHERWISE SPECIFIED DIMENSIONS ARE IN MILLIMETERS, DIMENSIONS IN [] ARE IN INCHES FOR CUSTOMER REFERENCE ONLY UNLESS OTHERWISE SPECIFIED TOLERANCE ARE:		THESE DRAWINGS AND SPECIFICATIONS ARE THE PROPERTY OF ANOISON ELECTRONICS LTD AND SHOULD NOT BE USED WITHOUT WRITTEN PERMISSION COPYRIGHT © 2020 ANOISON ELECTRONICS LTD	
.XX	±0.13 [0.005"]		
.X	±0.20 [0.008"]		
X	±0.50 [0.019"]		
.X°	±1°		
X°	±2°		



TITLE			
SMP STRAIGHT FEMALE, THREAD-IN ACCEPTS .020 DIA. POST			
VIEW	PART NO.		
	ANO 9312-5025		
SIZE	SCALE	SHEET	REV.
A3	5:1	1/1	H