

4

3

2

1

**MATERIAL & FINISH:**

- 1 HOUSING: STAINLESS STEEL, PASSIVATED
- 2 CENTER CONTACT: BERYLLIUM COPPER ALLOY, GOLD PLATED
- 3 BODY: BERYLLIUM COPPER ALLOY, GOLD PLATED
- 4 INSULATOR: PTFE

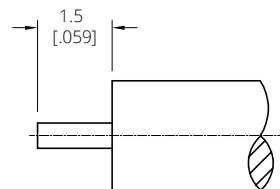
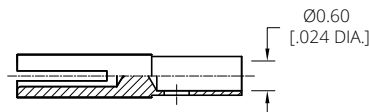
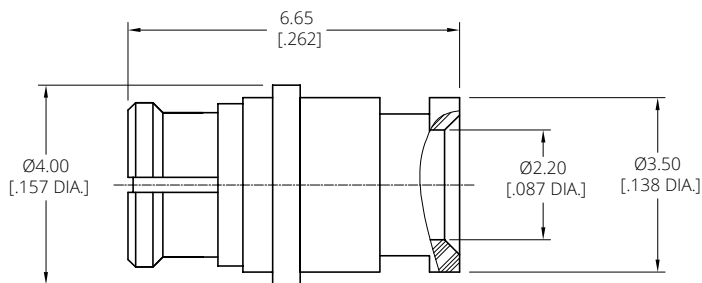
**ELECTRICAL DATA:**

- 1 IMPEDANCE: 50 Ω
- 2 FREQUENCY RANGE: DC~40 GHz
- 3 VSWR: 1.30 MAX. @ DC~26.5 GHz
- 4 INSERTION LOSS: 0.06\*√F[GHz]

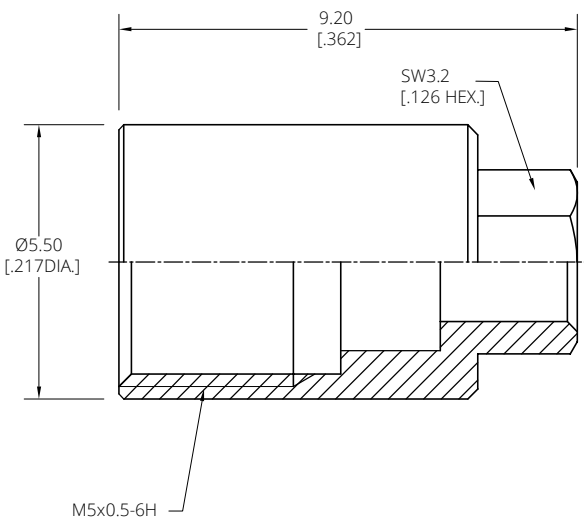
**ENVIRONMENTAL DATA:**

- 1 TEMPERATURE RANGE: -55°C~+165°C
- 2 2011/65/EU(RoHS) AND 2015/863/(RoHS): COMPLIANT
- 3 1999/45/EC(REACH): COMPLIANT

REVISIONS			
REV.	DESCRIPTION	DATE	APPROVED
A	INITIAL RELEASE	07/24/24	J. Q



CABLE STRIPPING DIMENSIONS



DRAWN	W. Y	DATE	07/24/24
CHECKED	X. Y	DATE	07/24/24
APPROVED	J. Q	DATE	07/24/24
UNLESS OTHERWISE SPECIFIED DIMENSIONS ARE IN MILLIMETERS, DIMENSIONS IN [ ] ARE IN INCHES FOR CUSTOMER REFERENCE ONLY UNLESS OTHERWISE SPECIFIED TOLERANCE ARE:		THESE DRAWINGS AND SPECIFICATIONS ARE THE PROPERTY OF ANOISON ELECTRONICS LTD AND SHOULD NOT BE USED WITHOUT WRITTEN PERMISSION COPYRIGHT © 2024 ANOISON ELECTRONICS LTD	
XX	±0.13 [0.005"]		
X	±0.20 [0.008"]		
x	±0.50 [0.019"]		
X°	±1°		
x°	±2°		

TITLE SMP-T STRAIGHT FEMALE SOLDER FOR .086 CABLE			
VIEW 		PART NO. ANO 9312-2169	
SIZE A3	SCALE 10:1	SHEET 1/1	REV. A

4

3

2

1