

MATERIAL & FINISH

- 1 BODY: BERYLLIUM COPPER ALLOY, GOLD PLATED
- 2 SPRING LATCH: BERYLLIUM COPPER ALLOY, GOLD PLATED
- 3 CENTER CONTACT: BERYLLIUM COPPER ALLOY, GOLD PLATED
- 4 INSULATOR: PTFE

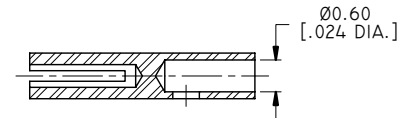
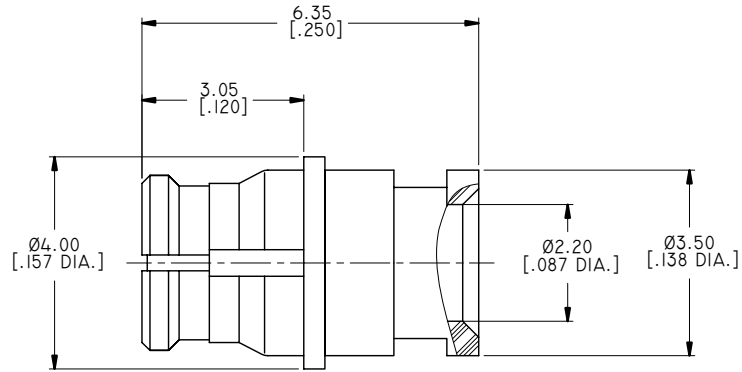
ENVIRONMENTAL DATA:

- 1 TEMPERATURE RANGE: -55°C~+125°C
- 2 2011/65/EU(RoHS) AND 2015/863/(RoHS): COMPLIANT
- 3 1999/45/EC(REACH): COMPLIANT

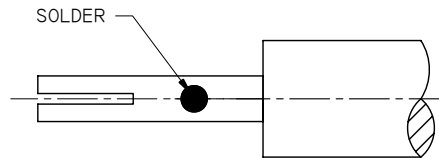
ELECTRICAL DATA:

- 1 IMPEDANCE: 50 Ω
- 2 FREQUENCY RANGE: DC~40GHZ
- 3 VSWR: ≤1.25 AT DC~26.5GHZ

REVISIONS			
REV.	DESCRIPTION	DATE	APPROVED
A	INITIAL RELEASE	08/23/18	J. QU



CABLE STRIPPING DIMENSIONS



SOLDER CENTRE CONTACT

* USERS ARE CAUTIONED THAT PERFORMANCE IS DEPENDENT ON THE SPECIFIC CABLE SELECTED AND CABLE PREPARATION AND TERMINATION, WHICH IS BEYOND THE CONTROL OF ANOISON ELECTRONICS.

DRAWN X. B. YANG	DATE 08/23/18	
CHECKED W. YANG	DATE 08/23/18	
APPROVED J. QU	DATE 08/23/18	
<small>UNLESS OTHERWISE SPECIFIED DIMENSIONS ARE IN MILLIMETERS. DIMENSIONS IN [] ARE IN INCHES FOR CUSTOMER REFERENCE ONLY UNLESS OTHERWISE SPECIFIED TOLERANCE ARE:</small>		<small>THESE DRAWINGS AND SPECIFICATIONS ARE THE PROPERTY OF ANOISON ELECTRONICS LTD AND SHOULD NOT BE USED WITHOUT WRITTEN PERMISSION COPYRIGHT © 2018 ANOISON ELECTRONICS LTD</small>
<small>.XX ±0.13 [.005"] .X ±0.20 [.008"] X ±0.50 [.019"] .X° ±1° X° ±2°</small>		TITLE SMP STRAIGHT FEMALE SOLDER FOR .086 CABLE
VIEW 		PART NO. ANO 9312-2085
SIZE A3	SCALE 10:1	SHEET 1/1
		REV. A