

MATERIAL & FINISH:

- 1 FLANGE BODY: STAINLESS STEEL, PASSIVATED
- 2 BODY: BERYLLIUM COPPER ALLOY, GOLD PLATED
- 3 SPRING LATCH: BRASS, GOLD PLATED
- 4 CENTER CONTACT: BERYLLIUM COPPER ALLOY, GOLD PLATED
- 5 INSULATOR: PTFE

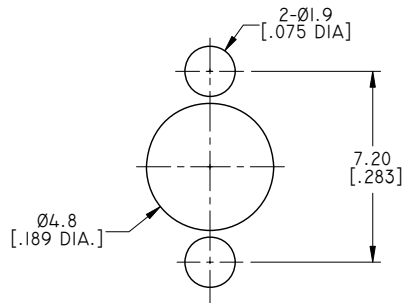
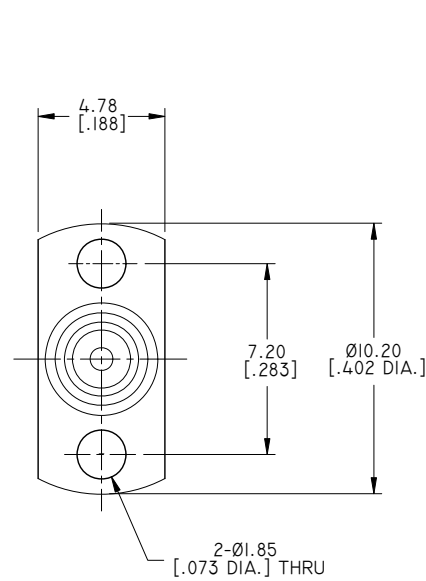
ENVIRONMENTAL DATA:

- 1 TEMPERATURE RANGE: -65°C~+165°C
- 2 2011/65/EU (RoHS): COMPLIANT

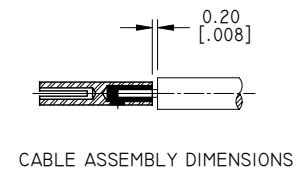
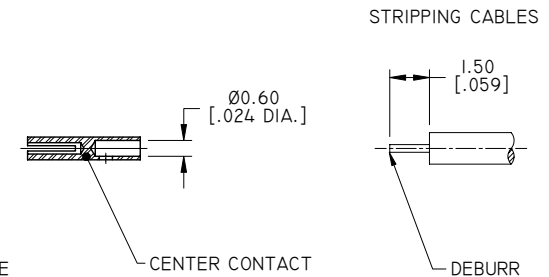
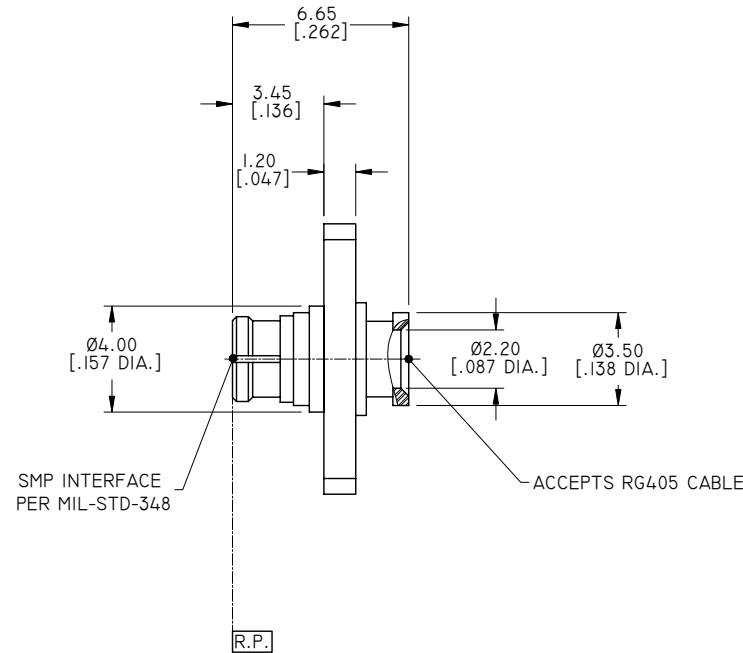
ELECTRICAL DATA:

- 1 IMPEDANCE: 50 Ω
- 2 FREQUENCY RANGE: DC~20 GHz
- 3 VSWR (TYPICAL): ≤ 1.30 DC~18GHz

REVISIONS			
REV.	DESCRIPTION	DATE	APPROVED
A	INITIAL RELEASE	12/29/15	J. QU



RECOMMENDED PANEL MOUNT



CABLE ASSEMBLY DIMENSIONS

DRAWN	P. CHEN	DATE	12/29/15
CHECKED	L. YANG	DATE	12/29/15
APPROVED	J. QU	DATE	12/29/15
UNLESS OTHERWISE SPECIFIED DIMENSIONS ARE IN MILLIMETERS. DIMENSIONS IN [] ARE IN INCHES FOR CUSTOMER REFERENCE ONLY UNLESS OTHERWISE SPECIFIED TOLERANCE ARE:		THESE DRAWINGS AND SPECIFICATIONS ARE THE PROPERTY OF ANOISON ELECTRONICS LTD AND SHOULD NOT BE USED WITHOUT WRITTEN PERMISSION. COPYRIGHT © 2015 ANOISON ELECTRONICS LTD	
.XX	±0.13	[.005"]	
.X	±0.20	[.008"]	
X	±0.50	[.019"]	
.X°	±1°		
X°	±2°		



TITLE
SMP FEMALE, 2 HOLE FLANGE MOUNT FOR RG405 CABLE

VIEW	PART NO. ANO 9312-2055						
SIZE	A3	SCALE	5:1	SHEET	1/1	REV.	A