

1.0 MATERIAL & FINISH

1.1 BODY: BERYLLIUM COPPER ALLOY, GOLD PLATED

1.2 CENTER CONTACT: BERYLLIUM COPPER ALLOY, GOLD PLATED

1.3 INSULATOR: PTFE

2.0 ENVIRONMENTAL DATA:

2.1 TEMPERATURE RANGE: -55°C~+165°C

2.2 2011/65/EU (RoHS): COMPLIANT

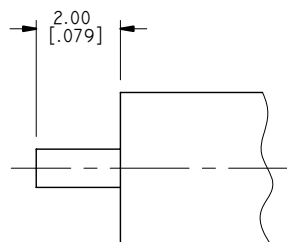
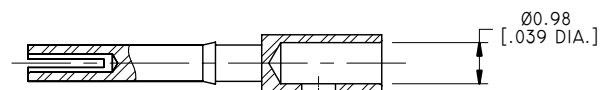
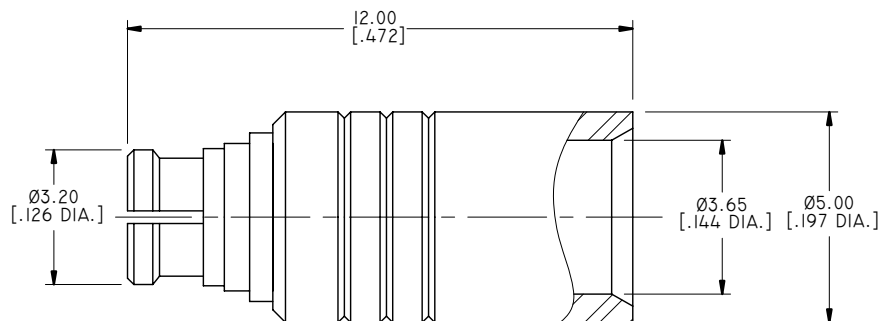
3.0 ELECTRICAL SPECIFICATIONS:

3.1 IMPEDANCE: 50 Ω

3.2 FREQUENCY RANGE: DC~18GHZ

3.3 VSWR: ≤1.35

REVISIONS			
REV.	DESCRIPTION	DATE	APPROVED
A	INITIAL RELEASE	05/31/17	J. QU
B	CHANGED ELECTRICAL SPECIFICATIONS	03/09/18	J. QU



CABLE STRIPPING DIMENSIONS

DRAWN	P. CHEN	DATE	03/09/18
CHECKED	X. B. YANG	DATE	03/09/18
APPROVED	J. QU	DATE	03/09/18

UNLESS OTHERWISE SPECIFIED DIMENSIONS ARE IN MILLIMETERS, DIMENSIONS IN [ ] ARE IN INCHES FOR CUSTOMER REFERENCE ONLY UNLESS OTHERWISE SPECIFIED TOLERANCE ARE:

.XX	±0.13 [.005"]
.X	±0.20 [.008"]
X	±0.50 [.019"]
.X°	±1°
X°	±2°

THESE DRAWINGS AND SPECIFICATIONS ARE THE PROPERTY OF ANOISON ELECTRONICS LTD AND SHOULD NOT BE USED WITHOUT WRITTEN PERMISSION COPYRIGHT © 2018 ANOISON ELECTRONICS LTD



TITLE			
SMP STRAIGHT FEMALE SOLDER FOR .141 CABLE			
VIEW		PART NO.	
		ANO 9312-2033	
SIZE	SCALE	SHEET	REV.
A3	8:1	1/1	B