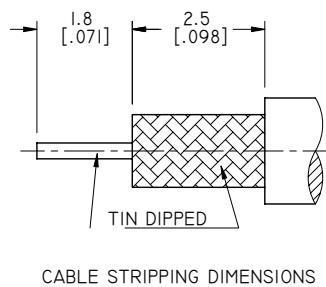
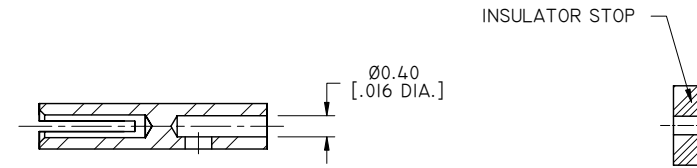
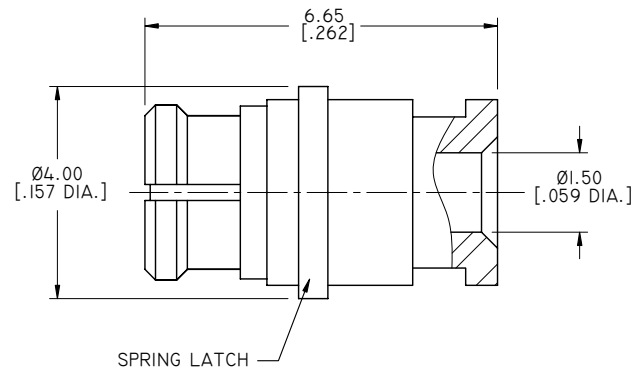


1.0 MATERIAL & FINISH
 1.1 BODY: BERYLLIUM COPPER ALLOY, GOLD PLATED
 1.2 SPRING LATCH: BRASS, GOLD PLATED
 1.3 CENTER CONTACT: BERYLLIUM COPPER ALLOY, GOLD PLATED
 1.4 INSULATOR: PTFE

2.0 ENVIRONMENTAL DATA:
 2.1 TEMPERATURE RANGE: -55°C~+125°C
 2.2 2011/65/EU (RoHS): COMPLIANT

3.0 ELECTRICAL DATA:
 3.1 IMPEDANCE: 50 Ω
 3.2 FREQUENCY RANGE: DC-40GHZ
 3.3 VSWR: ≤1.15 AT DC-4GHZ TYPICAL*

REVISIONS			
REV.	DESCRIPTION	DATE	APPROVED
B	STRUCTURC CHANGED	02/02/12	J. QU
C	CHANGED SPRING LATCH	01/16/16	J. QU
D	CHANGED ELECTRICAL DATA	10/31/16	J. QU



* USERS ARE CAUTIONED THAT PERFORMANCE IS DEPENDENT ON THE SPECIFIC CABLE SELECTED AND CABLE PREPARATION AND TERMINATION, WHICH IS BEYOND THE CONTROL OF ANOISON ELECTRONICS.

DRAWN	P. CHEN	DATE	10/31/16
CHECKED	X. B. YANG	DATE	10/31/16
APPROVED	J. QU	DATE	10/31/16
UNLESS OTHERWISE SPECIFIED DIMENSIONS ARE IN MILLIMETERS. DIMENSIONS IN [] ARE IN INCHES FOR CUSTOMER REFERENCE ONLY UNLESS OTHERWISE SPECIFIED TOLERANCE ARE:		THESE DRAWINGS AND SPECIFICATIONS ARE THE PROPERTY OF ANOISON ELECTRONICS LTD AND SHOULD NOT BE USED WITHOUT WRITTEN PERMISSION COPYRIGHT © 2016 ANOISON ELECTRONICS LTD	
.XX	±0.13 [.005"]		
.X	±0.20 [.008"]		
X	±0.50 [.019"]		
.X°	±1°		
X°	±2°		



TITLE			
SMP STRAIGHT FEMALE SOLDER FOR RG178 CABLE			
VIEW		PART NO.	
		ANO 9312-2011	
SIZE	SCALE	SHEET	REV.
A3	10:1	1/1	D