

MATERIAL & FINISH:

- 1 BODY: BERYLLIUM COPPER ALLOY, GOLD PLATED
- 2 SPRING LATCH: BRASS, GOLD PLATED
- 2 CENTER CONTACT: BERYLLIUM COPPER ALLOY, GOLD PLATED
- 3 INSULATOR: PEI

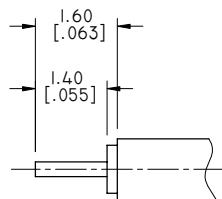
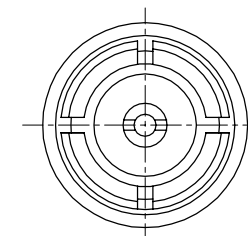
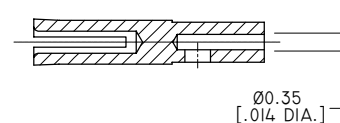
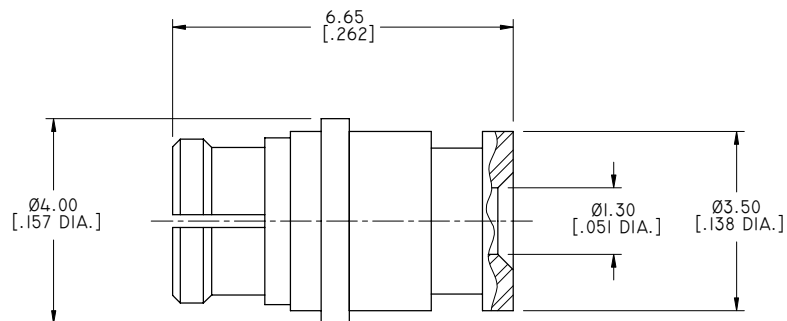
ELECTRICAL DATA:

- 1 IMPEDANCE: 50 Ω
- 2 FREQUENCY RANGE: DC~40GHZ
- 3 VSWR: ≤1.25 AT DC~20GHZ TYPICAL*

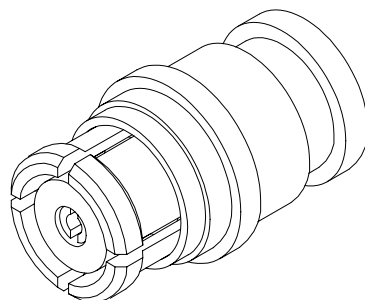
ENVIRONMENTAL DATA:

- 1 TEMPERATURE RANGE: -65°C~+165°C
- 2 2011/65/EU (RoHS): COMPLIANT

REVISIONS			
REV.	DESCRIPTION	DATE	APPROVED
C	CHANGED ELECTRICAL DATA	10/27/16	J. Q
D	-65°C~+165°C WAS -55°C~+125°C	04/09/20	J. Q
E	1. CENTER CONTACT OUTLINE DRAWING CHANGED 2. DC-20GHZ WAS DC-26.5GHZ 3. CABLE STRIPPING DIMENSIONS CHANGED	03/08/23	J. Q



CABLE STRIPPING DIMENSIONS



* USERS ARE CAUTIONED THAT PERFORMANCE IS DEPENDENT ON THE SPECIFIC CABLE SELECTED AND CABLE PREPARATION AND TERMINATION, WHICH IS BEYOND THE CONTROL OF ANOISON ELECTRONICS.

DRAWN	X. Y	DATE	03/08/23			
CHECKED	W. Y	DATE	03/08/23			
APPROVED	J. Q	DATE	03/08/23			
UNLESS OTHERWISE SPECIFIED DIMENSIONS ARE IN MILLIMETERS, DIMENSIONS IN [] ARE IN INCHES FOR CUSTOMER REFERENCE ONLY UNLESS OTHERWISE SPECIFIED TOLERANCE ARE:		THESE DRAWINGS AND SPECIFICATIONS ARE THE PROPERTY OF ANOISON ELECTRONICS LTD AND SHOULD NOT BE USED WITHOUT WRITTEN PERMISSION COPYRIGHT © 2023 ANOISON ELECTRONICS LTD				
.XX	±0.08 [0.031"]					
.X	±0.20 [0.081"]					
X	±0.50 [0.019"]					
.X°	±1°					
X°	±2°					
TITLE		SMP STRAIGHT FEMALE SOLDER FOR .047 CABLE				
VIEW		PART NO. ANO 9312-2002				
		SIZE	SCALE	SHEET	REV.	
		A3	10:1	1/1	E	