

MATERIAL & FINISH:

- 1 BODY: BRASS, GOLD PLATED
- 2 CENTER CONTACT: BERYLLIUM COPPER ALLOY, GOLD PLATED
- 3 INSULATOR: PTFE

ENVIRONMENTAL DATA:

- 1 TEMPERATURE RANGE: -65°C~+125°C
- 2 2011/65/EU(RoHS) AND 2015/863/(RoHS): COMPLIANT
- 3 1907/2006/EC(REACH): COMPLIANT

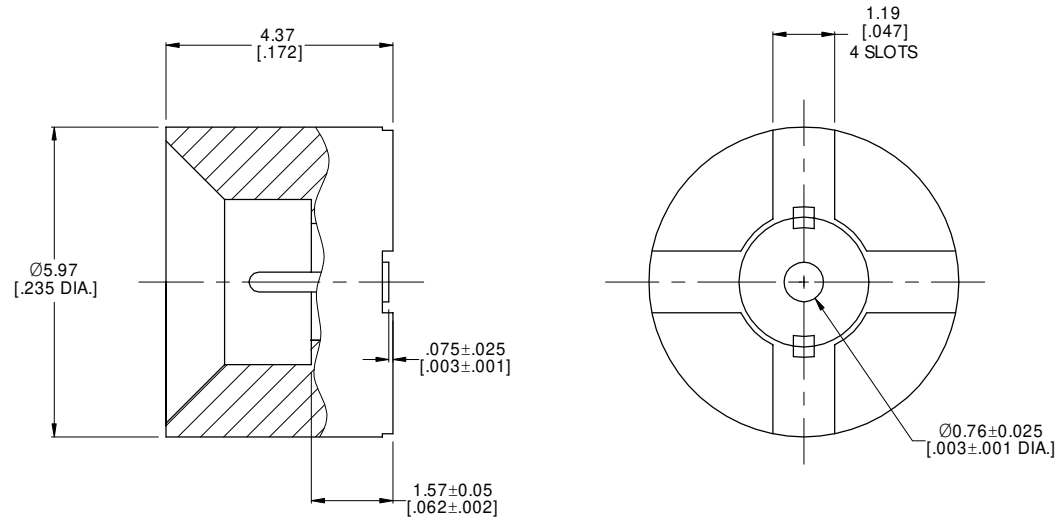
ELECTRICAL DATA:

- 1 IMPEDANCE: 50 Ω
- 2 FREQUENCY RANGE: DC-6 GHz
- 3 VSWR: 1.35 MAX.
- 4 INSULATION RES: 5000 MEGOHMS MAX.
- 5 DIELECTRIC WITHSTANDING VOLTAGE: 500 V MAX.

MECHANICAL DATA:

- 1 DURABILITY: 100 CYCLES MIN.
- 2 CAPTIVATION - CONTACT: 2.0 LBS MIN.

REVISIONS			
REV.	DESCRIPTION	DATE	APPROVED
A	INITIAL RELEASE	10/09/21	J QU



DRAWN	X. B. YANG	DATE	10/09/21
CHECKED	W. YANG	DATE	10/09/21
APPROVED	J QU	DATE	10/09/21
UNLESS OTHERWISE SPECIFIED DIMENSIONS ARE IN MILLIMETERS, DIMENSIONS IN [] ARE IN INCHES FOR CUSTOMER REFERENCE ONLY UNLESS OTHERWISE SPECIFIED TOLERANCE ARE:		THESE DRAWINGS AND SPECIFICATIONS ARE THE PROPERTY OF ANOISON ELECTRONICS LTD AND SHOULD NOT BE USED WITHOUT WRITTEN PERMISSION COPYRIGHT © 2021 ANOISON ELECTRONICS LTD	
.XX	±0.13 [.005"]		
.X	±0.20 [.008"]		
X	±0.50 [.019"]		
.X°	±1°		
X°	±2°		

TITLE
SMP POST CONTACT CATCHER'S MITT SMD RECEPTACLE

VIEW

PART NO.
ANO 9311-6130

SIZE	SCALE	SHEET	REV.
A3	10:1	1/1	A