

MATERIAL & FINISH:

1. BODY: KOVAR, GOLD PLATED
2. CENTER CONTACT: KOVAR, GOLD PLATED
3. INSULATOR: CORNING 7070 OR EQUIVALENT

ENVIRONMENTAL DATA:

1. TEMPERATURE RANGE: -65°C~+165°C
2. 2011/65/EC (RoHS): COMPLIANT
3. HERMETIC SEAL: 10⁻⁸ ATM.CM³/S

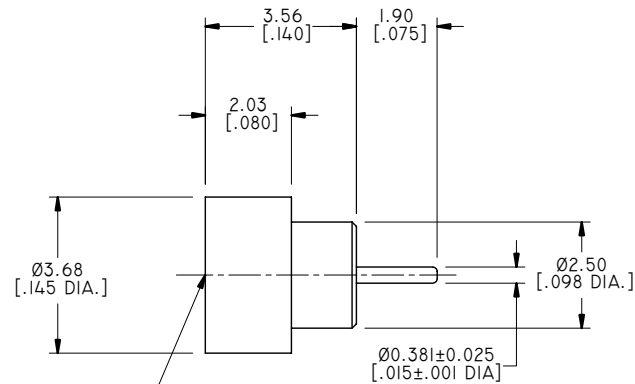
ELECTRICAL DATA:

- 1 IMPEDANCE: 50 Ω
- 2 FREQUENCY RANGE: DC~40 GHz
- 3 VSWR (TYP): ≤ 1.25 AT DC~18 GHz
≤ 1.35 AT 18~26.5 GHz
- 4 INSERTION LOSS: 0.045√F(GHz) GB
- 5 DIELECTRIC WITHSTANDING VOLTAGE: 500V
- 6 INSULATION RESISTANCE: 5000 MΩ MIN.
- 7 CONTACT RESISTANCE:
CENTER CONTACT: 10.0 mΩ MAX.
OUTER CONTACT: 2.0 mΩ MAX.

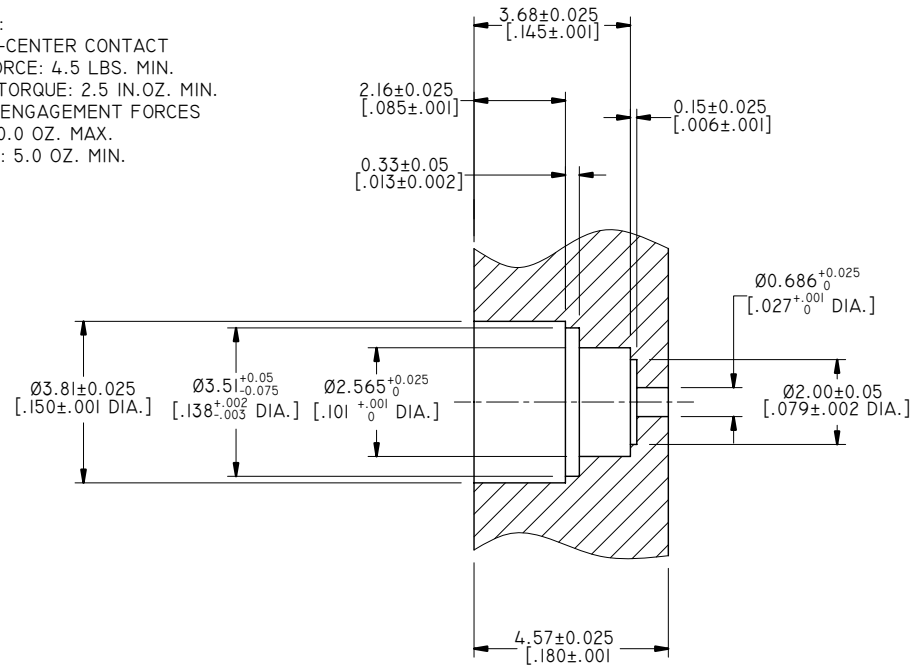
MECHANICAL DATA:

1. CAPTIVATION-CENTER CONTACT
AXIAL FORCE: 4.5 LBS. MIN.
RADIAL TORQUE: 2.5 IN.OZ. MIN.
2. CONNECTOR ENGAGEMENT FORCES
INSERTION: 10.0 OZ. MAX.
WITHDRAWAL: 5.0 OZ. MIN.

REVISIONS			
REV.	DESCRIPTION	DATE	APPROVED
A	INITIAL RELEASE	01/20/17	J. QU



SMP INTERFACE
PER MIL-STD-348



RECOMMENDED MOUNTING HOLE

PART NO.	TYPE
ANO 9311-6065-1	FULL DETENT
ANO 9311-6065-2	LIMITED DETENT
ANO 9311-6065-3	SMOOTH BORE

DRAWN	P. CHEN	DATE	01/20/17
CHECKED	L. YANG	DATE	01/20/17
APPROVED	J. QU	DATE	01/20/17
UNLESS OTHERWISE SPECIFIED DIMENSIONS ARE IN MILLINETERS. DIMENSIONS IN [] ARE IN INCHES FOR CUSTOMER REFERENCE ONLY UNLESS OTHERWISE SPECIFIED TOLERANCE ARE:		THESE DRAWINGS AND SPECIFICATIONS ARE THE PROPERTY OF ANOISON ELECTRONICS LTD AND SHOULD NOT BE USED WITHOUT WRITTEN PERMISSION COPYRIGHT © 2017 ANOISON ELECTRONICS LTD	
.XX	±0.13 [.005"]		
.X	±0.20 [.008"]		
X	±0.50 [.019"]		
.X°	±1°		
X°	±2°		



TITLE			
SMP MALE HERMETIC SHROUD, HALF SHROUD FULL BODY			
VIEW		PART NO.	
		ANO 9311-6065	
SIZE	SCALE	SHEET	REV.
A3	8:1	1/1	A