

MATERIAL & FINISH:

1. BODY: KOVAR, GOLD PLATED
2. CENTER CONTACT: KOVAR, GOLD PLATED
3. INSULATOR: CORNING 7070 OR EQUIVALENT

ENVIRONMENTAL DATA:

1. TEMPERATURE RANGE: -65°C~+165°C
2. 2011/65/EC (RoHS): COMPLIANT
3. HERMETIC SEAL: 10⁻⁸ ATM.CM³/S

ENVIRONMENTAL DATA:

1. TEMPERATURE RANGE: -65°C~+165°C
2. 2011/65/EU (RoHS): COMPLIANT

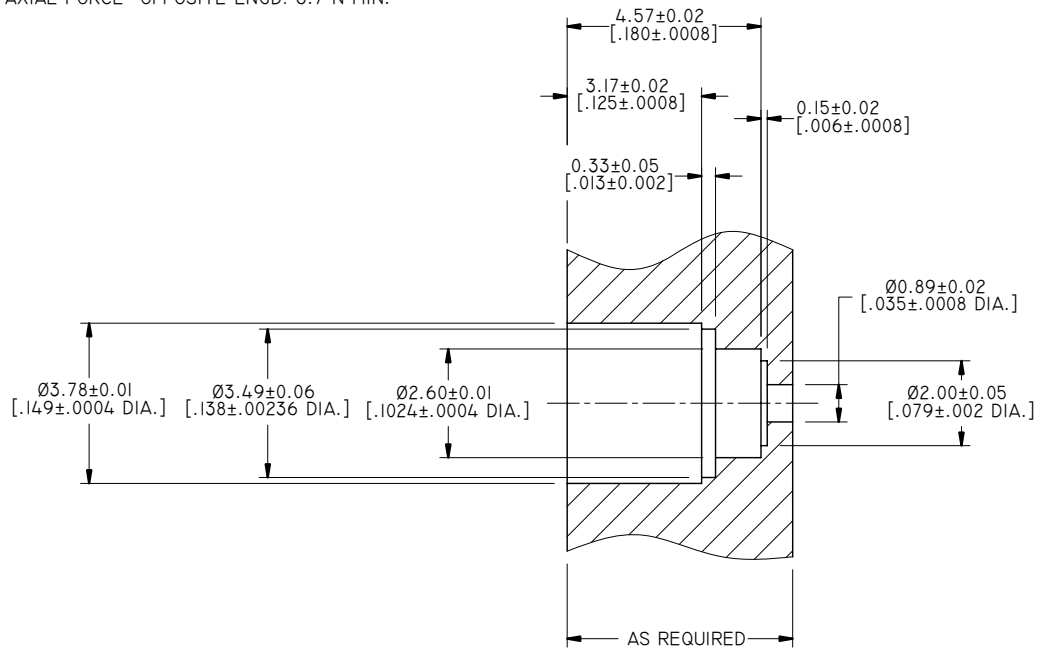
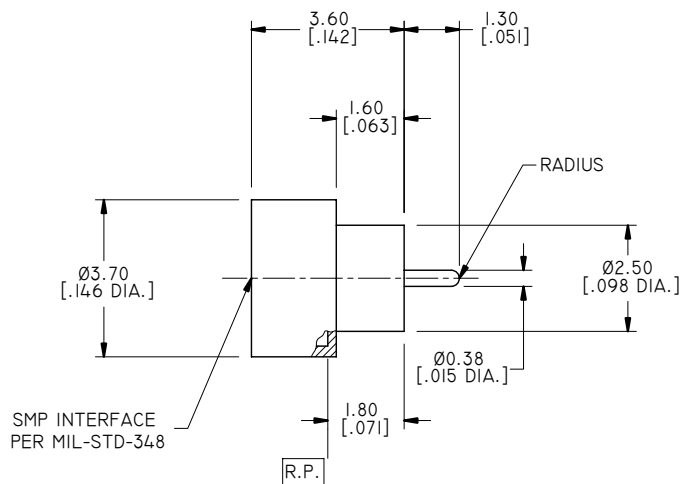
ELECTRICAL DATA:

1. IMPEDANCE: 50 Ω
2. FREQUENCY RANGE: DC~40 GHz
3. VSWR (TYP): ≤ 1.25 AT DC~18 GHz
≤ 1.35 AT 18~26.5 GHz
4. INSERTION LOSS: 0.04√F(GHZ) GB
5. DIELECTRIC WITHSTANDING VOLTAGE: 500V

MECHANICAL DATA:

1. CENTER CONTACT RETENTION:
AXIAL FORCE--MATING ENGD: 6.7 N MIN.
AXIAL FORCE--OPPOSITE ENGD: 6.7 N MIN.

REVISIONS			
REV.	DESCRIPTION	DATE	APPROVED
A	INITIAL RELEASE	10/09/06	J. QU
B	ADD TECHNICAL	11/22/13	J. QU
C	1.80 [.071] ADD	02/04/17	J. QU



RECOMMENDED MOUNTING HOLE

PART NO.	TYPE
ANO 9311-6009-1	FULL DETENT
ANO 9311-6009-2	LIMITED DETENT
ANO 9311-6009-3	SMOOTH BORE

DRAWN	X. B. YANG	DATE	02/04/17		
CHECKED	L. YANG	DATE	02/04/17		
APPROVED	J. QU	DATE	02/04/17		
UNLESS OTHERWISE SPECIFIED DIMENSIONS ARE IN MILLIMETERS, DIMENSIONS IN [] ARE IN INCHES FOR CUSTOMER REFERENCE ONLY UNLESS OTHERWISE SPECIFIED TOLERANCE ARE:		THESE DRAWINGS AND SPECIFICATIONS ARE THE PROPERTY OF ANOISON ELECTRONICS LTD AND SHOULD NOT BE USED WITHOUT WRITTEN PERMISSION COPYRIGHT © 2017 ANOISON ELECTRONICS LTD		TITLE	SMP MALE HERMETIC SHROUD, HALF SHROUD FULL BODY
.XX ±0.13 [.005"] .X ±0.20 [.008"] X ±0.50 [.019"] X° ±1° X° ±2°				VIEW	
				PART NO.	ANO 9311-6009
				SIZE	A3
				SCALE	8:1
				SHEET	1/1
				REV.	C