

4 3 2 1

MATERIAL & FINISH:

- 1 OUTER CONDUCTOR: KOVAR, GOLD PLATED
- 2 CENTER CONTACT: KOVAR, GOLD PLATED
- 3 INSULATOR: GLASS 7070

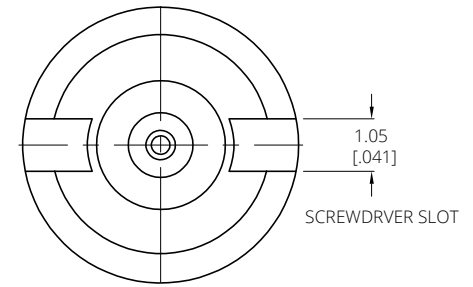
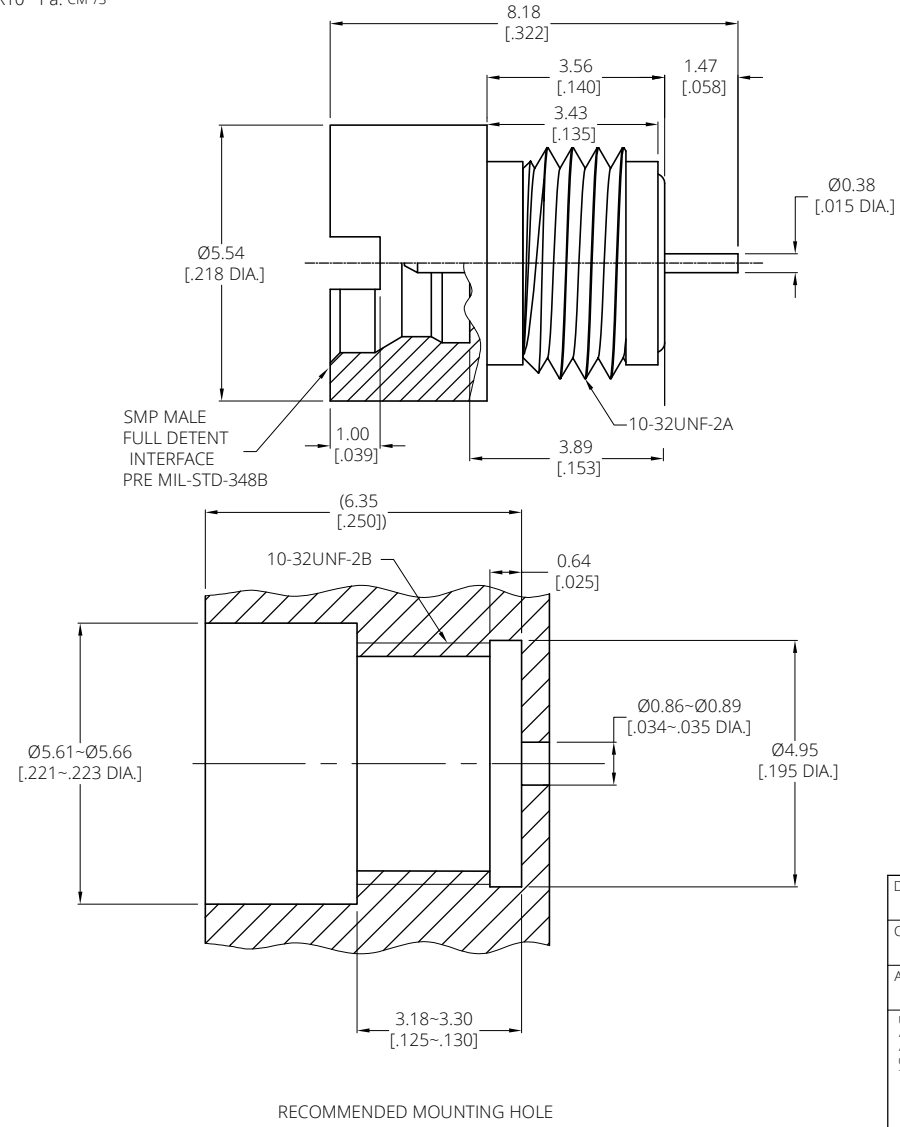
ELECTRICAL DATA:

- 1 IMPEDANCE: 50 OHMS
- 2 FREQUENCY RANGE: DC~40 GHz
- 3 VSWR: 1.35 MAX. @ DC~26.5 GHz

ENVIRONMENTAL DATA:

- 1 TEMPERATURE RANGE: -55°C~+125°C
- 2 2011/65/EU(RoHS) AND 2015/863/(RoHS): COMPLIANT
- 3 1907/2006/EC(REACH): COMPLIANT
- 4 HERMETICITY: 1×10^{-3} Pa. cm^3/s

REVISIONS			
REV.	DESCRIPTION	DATE	APPROVED
A	INITIAL RELEASE	01/10/25	J. Q



DRAWN	W. Y	DATE	01/10/25
CHECKED	X. Y	DATE	01/10/25
APPROVED	J. Q	DATE	01/10/25
UNLESS OTHERWISE SPECIFIED DIMENSIONS ARE IN MILLIMETERS, DIMENSIONS IN [] ARE IN INCHES FOR CUSTOMER REFERENCE ONLY UNLESS OTHERWISE SPECIFIED TOLERANCE ARE:		THESE DRAWINGS AND SPECIFICATIONS ARE THE PROPERTY OF ANOISON ELECTRONICS LTD AND SHOULD NOT BE USED WITHOUT WRITTEN PERMISSION COPYRIGHT © 2025 ANOISON ELECTRONICS LTD	
XX	±0.13 [0.005"]		
X	±0.20 [0.008"]		
x	±0.50 [0.019"]		
x°	±1°		
x°	±2°		

TITLE
SMP MALE FULL DETENT, HERMETIC, SCREW-IN

VIEW

PART NO.
ANO 9311-5173

SIZE A3	SCALE 4:1	SHEET 1/1	REV. A
-------------------	---------------------	---------------------	------------------

D
C
B
A

4 3 2 1