

MATERIAL & FINISH:

- 1 BODY: STAINLESS STEEL, PASSIVATED
- 2 CENTER CONTACT: BERYLLIUM COPPER ALLOY, GOLD PLATED
- 3 INSULATOR: PTFE
- 4 BUSHING: BRASS, NICKEL PLATED

ENVIRONMENTAL DATA:

- 1 TEMPERATURE RANGE: -55 °C ~ +125 °C
- 2 2011/65/EU (RoHS) AND 2015/863/ (RoHS): COMPLIANT
- 3 1907/2006/EC (REACH): COMPLIANT

ELECTRICAL DATA:

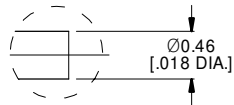
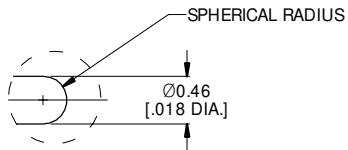
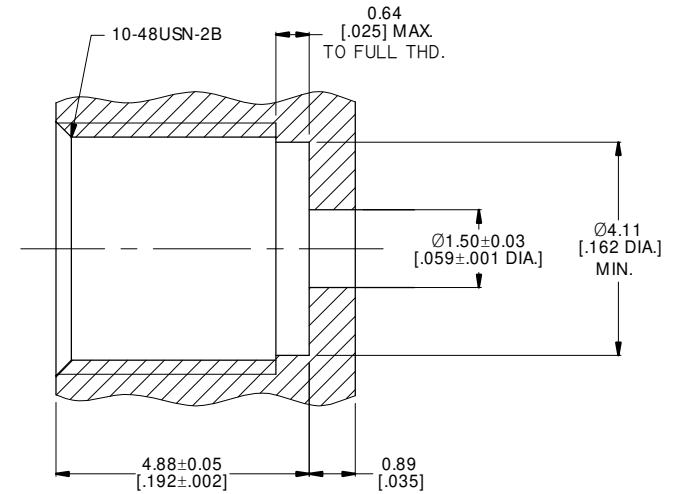
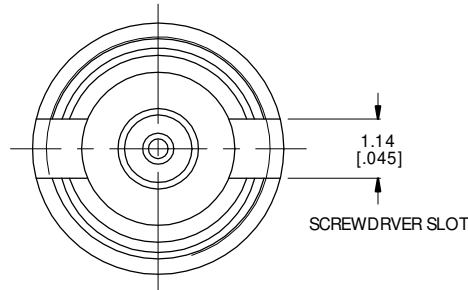
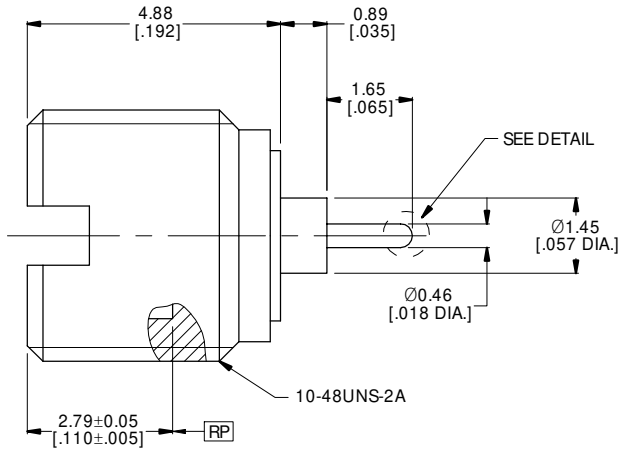
- 1 IMPEDANCE: 50 OHMS
- 2 FREQUENCY RANGE: DC~40 GHz
- 3 VSWR: 1.25 MAX. AT DC~18 GHz
1.35 MAX. AT 18~26.5 GHz
1.50 MAX. AT 26.5~40 GHz

RECOMMENDED TORQUE:

- 1 PANEL NUT: 1 N.M [8.85 IN.LBS]

REVISIONS

REV.	DESCRIPTION	DATE	APPROVED
A	INITIAL RELEASE	03/14/22	J QU

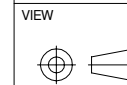


PART NO.	TYPE	DETAIL
ANO 9311-5138-1	FULL DETENT	A
ANO 9311-5138-2	LIMITED DETENT	
ANO 9311-5138-3	SMOOTH BORE	
ANO 9311-5138-4	FULL DETENT	B
ANO 9311-5138-5	LIMITED DETENT	
ANO 9311-5138-6	SMOOTH BORE	

DRAWN	XB. YANG	DATE	03/14/22
CHECKED	W. YANG	DATE	03/14/22
APPROVED	J QU	DATE	03/14/22
UNLESS OTHERWISE SPECIFIED DIMENSIONS ARE IN MILLIMETERS, DIMENSIONS IN [] ARE IN INCHES FOR CUSTOMER REFERENCE ONLY UNLESS OTHERWISE SPECIFIED TOLERANCE ARE:		THESE DRAWINGS AND SPECIFICATIONS ARE THE PROPERTY OF ANOISON ELECTRONICS LTD AND SHOULD NOT BE USED WITHOUT WRITTEN PERMISSION COPYRIGHT © 2022 ANOISON ELECTRONICS LTD	
.XX	±0.13 [.005"]		
.X	±0.20 [.008"]		
X	±0.50 [.019"]		
.X°	±1°		
X°	±2°		



TITLE
SMP STRAIGHT MALE, THREAD-IN RECEPTACLE



PART NO. ANO 9311-5138			
SIZE A3	SCALE 4:1	SHEET 1/1	REV. A