

4

3

2

1

MATERIAL & FINISH:

- 1 BODY: KOVAR, GOLD PLATED
- 2 CENTER CONTACT: KOVAR, GOLD PLATED
- 3 INSULATOR: GLASS 7070

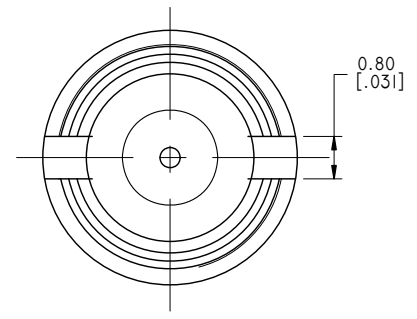
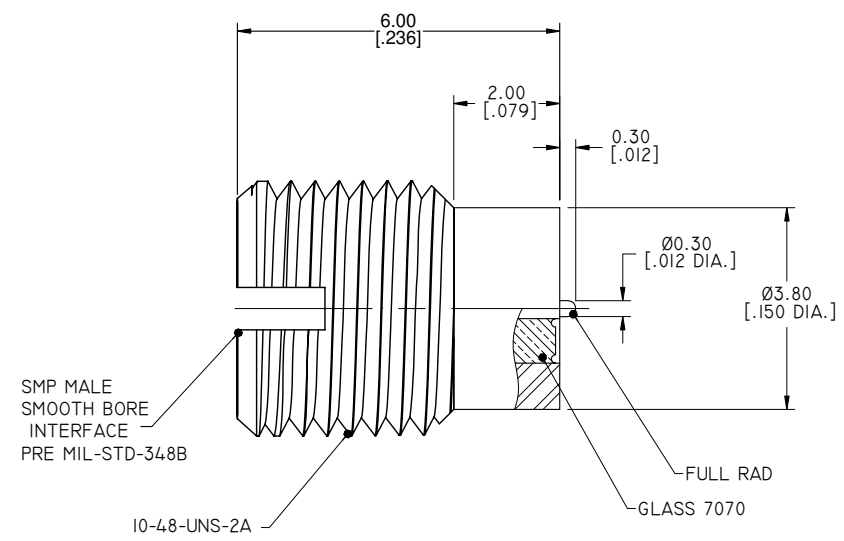
ENVIRONMENTAL DATA:

- 1 TEMPERATURE RANGE: -55°C~+165°C
- 2 HERMETICITY:  $1 \times 10^{-8}$  CC STD. CC/SEC. AT 1 ATMOSPHERE

ELECTRICAL DATA:

- 1 IMPEDANCE: 50 Ω
- 2 FREQUENCY RANGE: DC~12 GHZ
- 3 VSWR: 1.20 MAX.
- 4 VOLTAGE RATING: 500 V MAX.
- 5 INSULATION RESISTANCE: 1000 MΩ MIN.

REVISIONS			
REV.	DESCRIPTION	DATE	APPROVED
A	INITIAL RELEASE	06/12/16	J. QU



DRAWN	P. CHEN	DATE	06/12/16
CHECKED	L. YANG	DATE	06/12/16
APPROVED	J. QU	DATE	06/12/16
UNLESS OTHERWISE SPECIFIED DIMENSIONS ARE IN MILLIMETERS. DIMENSIONS IN [ ] ARE IN INCHES FOR CUSTOMER REFERENCE ONLY UNLESS OTHERWISE SPECIFIED TOLERANCE ARE:		THESE DRAWINGS AND SPECIFICATIONS ARE THE PROPERTY OF ANOISON ELECTRONICS LTD AND SHOULD NOT BE USED WITHOUT WRITTEN PERMISSION COPYRIGHT © 2016 ANOISON ELECTRONICS LTD	
.XX	±0.13 [0.005"]		
.X	±0.20 [0.008"]		
X	±0.50 [0.019"]		
.X°	±1°		
X°	±2°		



TITLE			
SMP STRAIGHT MALE, THREAD-ON RECEPTACLE			
VIEW		PART NO.	
		ANO 9311-5061	
SIZE	SCALE	SHEET	REV.
A3	10:1	1/1	A

4

3

2

1