

**MATERIAL & FINISH:**

1. BODY: STAINLESS STEEL, PASSIVATED
2. CENTER CONTACT: BERYLLIUM COPPER ALLOY, GOLD PLATED
3. INSULATOR: PTFE

**ELECTRICAL DATA:**

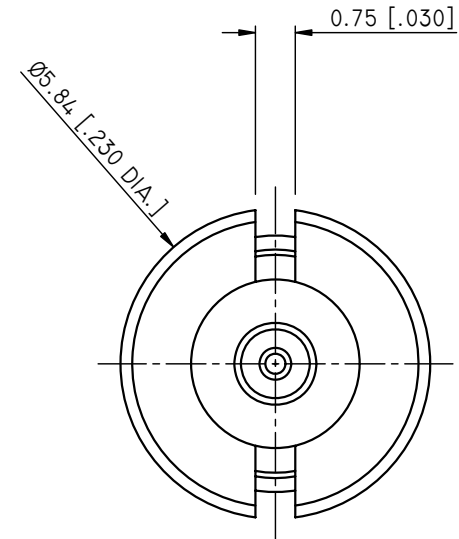
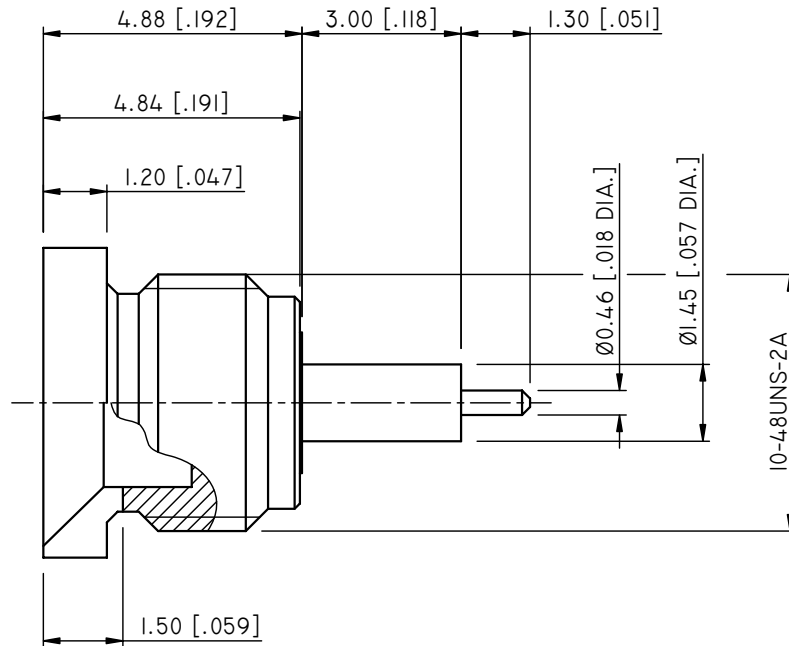
1. IMPEDANCE: 50 Ω
2. FREQUENCY RANGE: DC~18GHZ
3. VSWR: 1.20 MAX.
4. INSERTION LOSS: 0.30 DB MAX.
5. VOLTAGE RATING: 335 V MAX.
6. DIELECTRIC WITHSTANDING VOLTAGE: 500 V MAX.

**ENVIRONMENTAL DATA:**

1. TEMPERATURE RANGE: -40°C~+125°C
2. 2011/65/EU (RoHS): COMPLIANT

**MECHANICAL CHARACTERISTICS:**

1. MATING LIFE: 1000 CYCLES MIN.
2. CENTER CONTACT RETENTION:  
AXIAL FORCE--MATING ENGD: 6.7 N MIN.  
AXIAL FORCE--OPPOSITE ENGD: 6.7 N MIN.
3. RECOMMENDED TORQUE:  
PANEL NUT: 90 N.CM



| REVISIONS |  |          |          |
|-----------|--|----------|----------|
| REV.      | DESCRIPTION                            | DATE     | APPROVED |
| A         | INITIAL RELEASE                        | 08/18/14 | J. QU    |
| B         | ELECTRICAL AND MECHANICAL DATA CHANGED | 08/22/14 | J. QU    |

|  |                  |  |                           |   |           |
|--|------------------|--|---------------------------|---|-----------|
| DRAWN<br>X. B. YANG  | DATE<br>08/22/14 |  |                           |   |           |
| CHECKED<br>L. YANG   | DATE<br>08/22/14 |  |                           |   |           |
| APPROVED<br>J. QU  | DATE<br>08/22/14 |  |                           |   |           |
| UNLESS OTHERWISE SPECIFIED DIMENSIONS ARE IN MILLIMETERS, DIMENSIONS IN [ ] ARE IN INCHES FOR CUSTOMER REFERENCE ONLY UNLESS OTHERWISE SPECIFIED TOLERANCE ARE:<br>.XX ±0.13 [.005"]<br>.X ±0.20 [.008"]<br>X ±0.50 [.019"]<br>.X° ±1°<br>X° ±2° |                  | THESE DRAWINGS AND SPECIFICATIONS ARE THE PROPERTY OF ANOISON ELECTRONICS LTD AND SHOULD NOT BE USED WITHOUT WRITTEN PERMISSION COPYRIGHT © 2013 ANOISON |                           | TITLE<br>SMP STRAIGHT MALE, THREAD-IN-RECEPTACLES, CATCHERS MIT |           |
|  |                  | VIEW<br>   | PART NO.<br>ANO 9311-5034 |   |           |
|  |                  | SIZE<br>A3   | SCALE<br>10:1             | SHEET<br>1/1  | REV.<br>B |