

4

3

2

1

## MATERIAL &amp; FINISH:

- 1 BODY: BERYLLIUM COPPER ALLOY, GOLD PLATED
- 2 CENTER CONTACT: BERYLLIUM COPPER ALLOY, GOLD PLATED
- 3 INSULATOR: PTFE

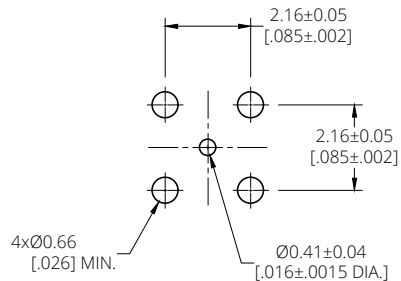
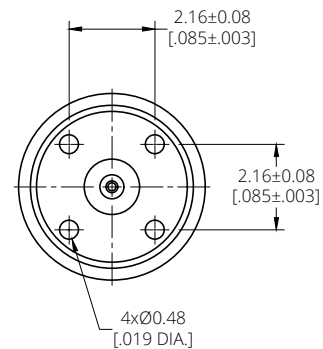
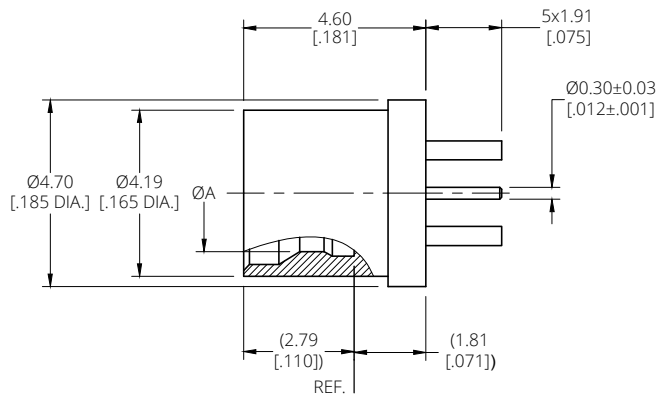
## ELECTRICAL DATA:

- 1 IMPEDANCE: 50 Ω
- 2 FREQUENCY RANGE: DC ~ 26.5 GHz


## ENVIRONMENTAL DATA:

- 1 TEMPERATURE RANGE: -65°C~+125°C
- 2 2011/65/EU(RoHS) AND 2015/863/(RoHS): COMPLIANT
- 3 1907/2006/EC(REACH): COMPLIANT

REVISIONS			
REV.	DESCRIPTION	DATE	APPROVED
A	INITIAL RELEASE	08/27/24	J. Q



PART NO.	TYPE	ØA	FORCE TO ENGAGE	FORCE TO DISENGAGE
ANO 9311-4171-1	FULL DETENT	Ø2.95[1.16 DIA.]	68 N MAX.	22 N MIN.
ANO 9311-4171-2	LIMITED DETENT	Ø3.05[1.20 DIA.]	45 N MAX.	9 N MIN.
ANO 9311-4171-3	SMOOTH BORE	Ø3.18[1.25 DIA.]	9 N MAX.	2.2 N MIN.

DRAWN	DATE							
Y. H	08/27/24							
CHECKED	DATE							
L. Y	08/27/24	TITLE						
APPROVED	DATE	SMP MALE STRAIGHT PCB SURFACE MOUNT RECEPTACLE						
J. Q	08/27/24	VIEW		PART NO.				
UNLESS OTHERWISE SPECIFIED DIMENSIONS ARE IN MILLIMETERS, DIMENSIONS IN [ ] ARE IN INCHES FOR CUSTOMER REFERENCE ONLY UNLESS OTHERWISE SPECIFIED TOLERANCE ARE: XX ±0.13 [0.05"] X ±0.20 [0.08"] X ±0.50 [0.19"] X° ±1° X° ±2°		THESE DRAWINGS AND SPECIFICATIONS ARE THE PROPERTY OF ANOISON ELECTRONICS LTD AND SHOULD NOT BE USED WITHOUT WRITTEN PERMISSION COPYRIGHT © 2024 ANOISON ELECTRONICS LTD		ANO 9311-4171				
				SIZE		SCALE	SHEET	REV.
				A3	5:1	1/1	A	

4

3

2

1