

4 3 2 1

**MATERIAL & FINISH:**

- 1 BODY: BRASS, GOLD PLATED
- 2 CENTER CONTACT: BERYLLIUM COPPER ALLOY, GOLD PLATED
- 3 INSULATOR: PEEK

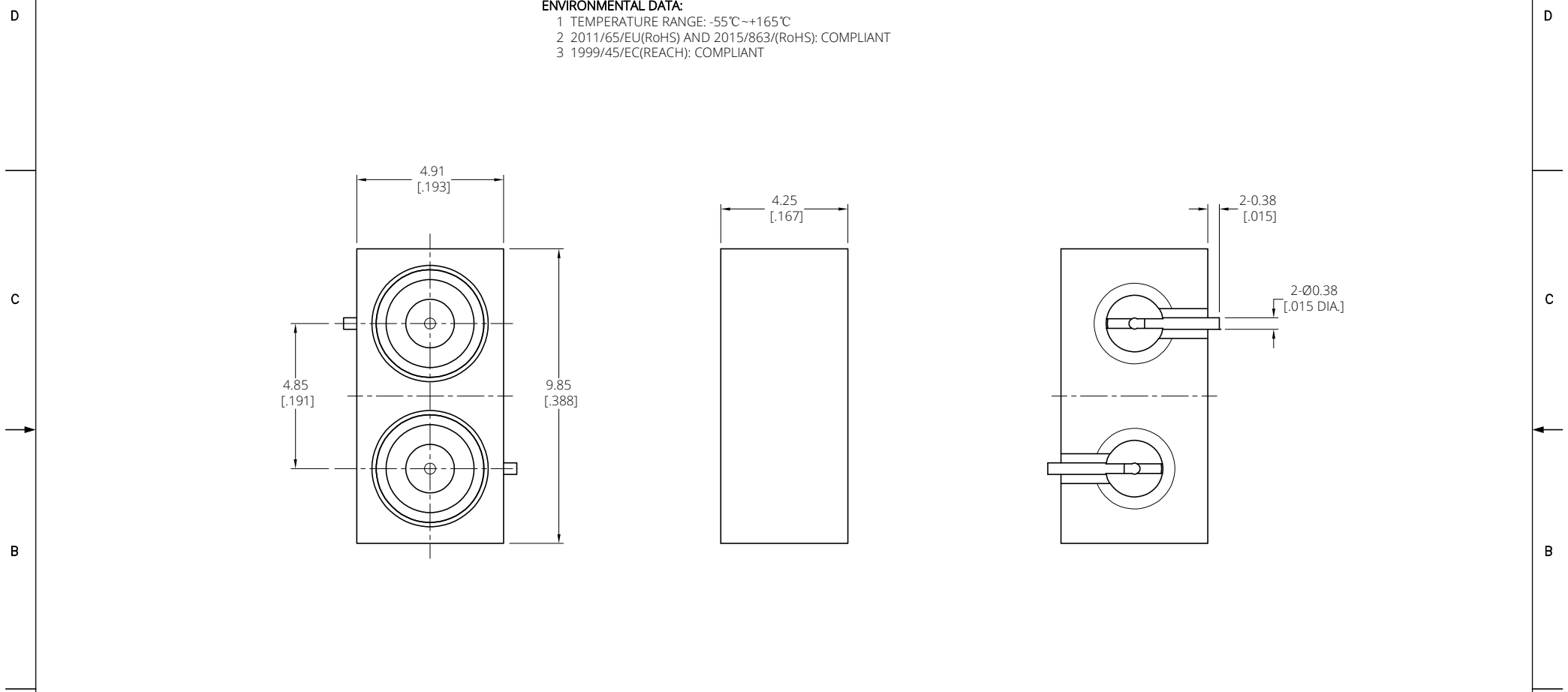
**ELECTRICAL DATA:**

- 1 IMPEDANCE: 50 Ω
- 2 FREQUENCY RANGE: DC~18 GHz

**ENVIRONMENTAL DATA:**

- 1 TEMPERATURE RANGE: -55°C~+165°C
- 2 2011/65/EU(RoHS) AND 2015/863/(RoHS): COMPLIANT
- 3 1999/45/EC(REACH): COMPLIANT

| REVISIONS |                 |          |          |
|-----------|-----------------|----------|----------|
| REV.      | DESCRIPTION     | DATE     | APPROVED |
| A         | INITIAL RELEASE | 12/21/23 | J. Q     |
|           |                 |          |          |



| PART NO.        | TYPE           |
|-----------------|----------------|
| ANO 9311-4162-1 | FULL DETENT    |
| ANO 9311-4162-2 | LIMITED DETENT |

|   |                |  |          |
|---|----------------|--|----------|
| DRAWN   | W. Y           | DATE   | 12/21/23 |
| CHECKED   | X. Y           | DATE   | 12/21/23 |
| APPROVED  | J. Q           | DATE   | 12/21/23 |
| UNLESS OTHERWISE SPECIFIED DIMENSIONS ARE IN MILLIMETERS, DIMENSIONS IN [ ] ARE IN INCHES FOR CUSTOMER REFERENCE ONLY UNLESS OTHERWISE SPECIFIED TOLERANCE ARE: |                | THESE DRAWINGS AND SPECIFICATIONS ARE THE PROPERTY OF ANOISON ELECTRONICS LTD AND SHOULD NOT BE USED WITHOUT WRITTEN PERMISSION COPYRIGHT © 2023 ANOISON ELECTRONICS LTD |          |
| XX  | ±0.13 [0.005"] |  |          |
| X   | ±0.20 [0.008"] |  |          |
| x   | ±0.50 [0.019"] |  |          |
| x°  | ±1°            |  |          |
| x"  | ±2°            |  |          |

**TITLE**  
SMP MALE STRAIGHT PCB SURFACE MOUNT RECEPTACLE -2 POSITION

**VIEW**

|                                  |                     |                     |                  |
|----------------------------------|---------------------|---------------------|------------------|
| <b>PART NO.</b><br>ANO 9311-4162 |                     |                     |                  |
| <b>SIZE</b><br>A3                | <b>SCALE</b><br>8:1 | <b>SHEET</b><br>1/1 | <b>REV.</b><br>A |

A 4 3 2 1