

4 3 2 1

MATERIAL & FINISH:

- 1 BODY: BRASS, GOLD PLATED
- 2 CENTER CONTACT: BERYLLIUM COPPER ALLOY, GOLD PLATED
- 3 INSULATOR: TORLON

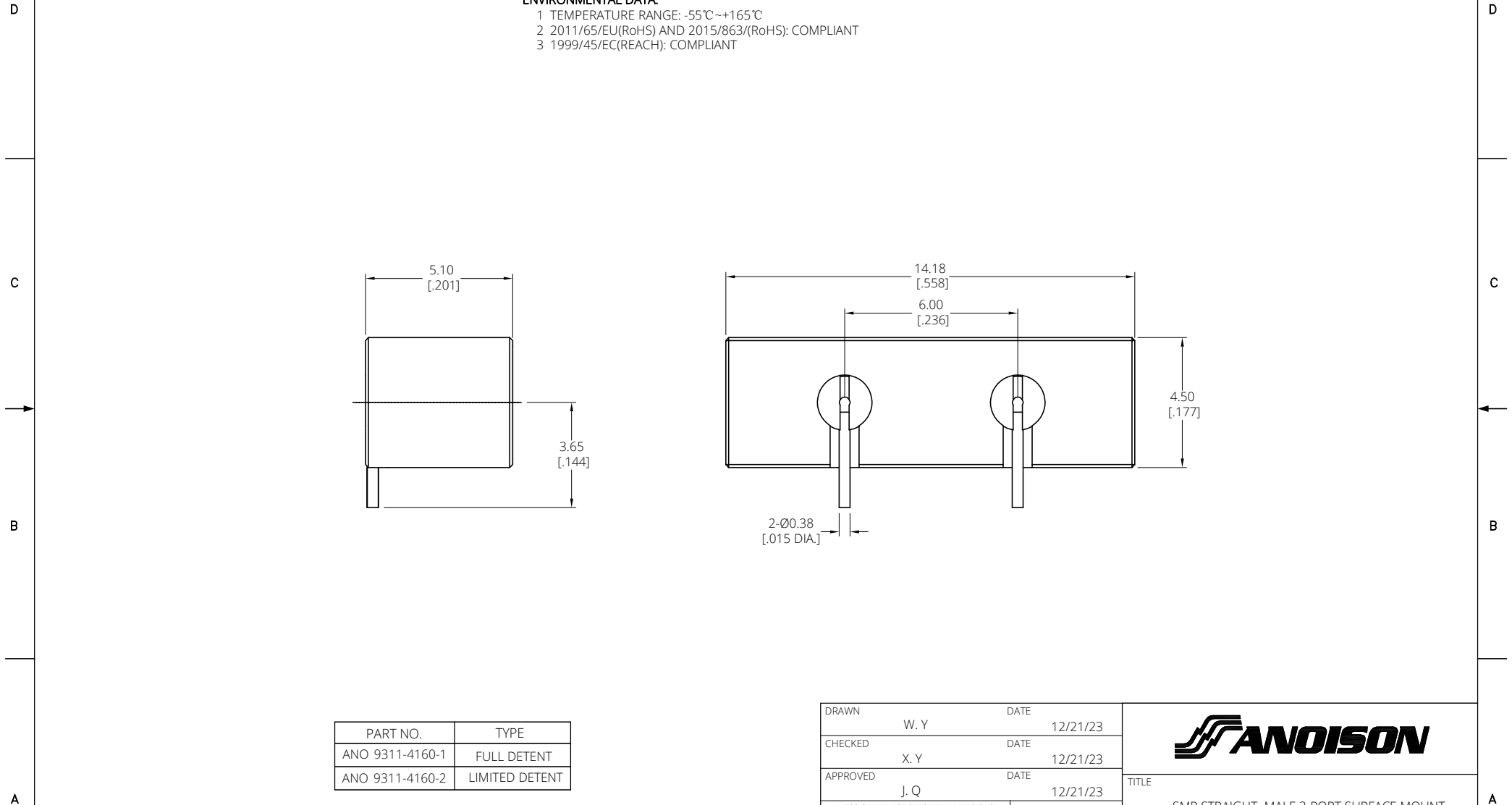
ELECTRICAL DATA:

- 1 IMPEDANCE: 50 Ω
- 2 FREQUENCY RANGE: DC~40 GHz

ENVIRONMENTAL DATA:

- 1 TEMPERATURE RANGE: -55°C~+165°C
- 2 2011/65/EU(RoHS) AND 2015/863/(RoHS): COMPLIANT
- 3 1999/45/EC(REACH): COMPLIANT

REVISIONS			
REV.	DESCRIPTION	DATE	APPROVED
A	INITIAL RELEASE	06/28/23	J. Q



PART NO.	TYPE
ANO 9311-4160-1	FULL DETENT
ANO 9311-4160-2	LIMITED DETENT

DRAWN	W. Y	DATE	12/21/23
CHECKED	X. Y	DATE	12/21/23
APPROVED	J. Q	DATE	12/21/23
UNLESS OTHERWISE SPECIFIED DIMENSIONS ARE IN MILLIMETERS, DIMENSIONS IN [] ARE IN INCHES FOR CUSTOMER REFERENCE ONLY UNLESS OTHERWISE SPECIFIED TOLERANCE ARE:		THESE DRAWINGS AND SPECIFICATIONS ARE THE PROPERTY OF ANOISON ELECTRONICS LTD AND SHOULD NOT BE USED WITHOUT WRITTEN PERMISSION COPYRIGHT © 2023 ANOISON ELECTRONICS LTD	
XX	±0.13 [005"]		
X	±0.20 [008"]		
x	±0.50 [019"]		
x°	±1°		
x"	±2°		

TITLE
SMP STRAIGHT MALE 2-PORT SURFACE MOUNT

VIEW

PART NO. ANO 9311-4160			
SIZE A3	SCALE 8:1	SHEET 1/1	REV. A

4 3 2 1