

4

3

2

1

MATERIAL & FINISH:

- 1 BODY: STAINLESS STEEL, GOLD PLATED
- 2 CENTER CONTACT: BERYLLIUM COPPER ALLOY, GOLD PLATED
- 3 INSULATOR: PTFE

ENVIRONMENTAL DATA:

- 1 TEMPERATURE RANGE: -55°C ~ +125°C
- 2 2011/65/EU(RoHS) AND 2015/863/(RoHS): COMPLIANT
- 3 1907/2006/EC(REACH): COMPLIANT

ELECTRICAL DATA:

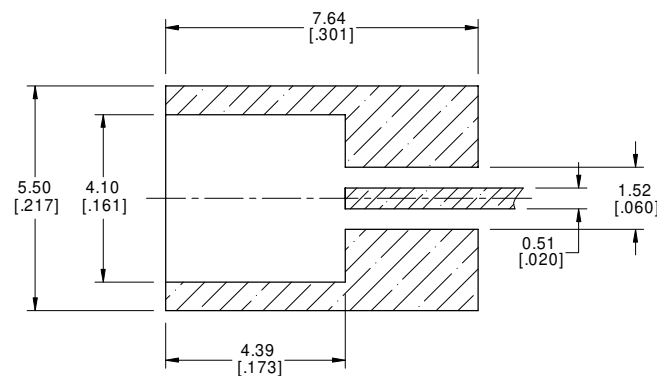
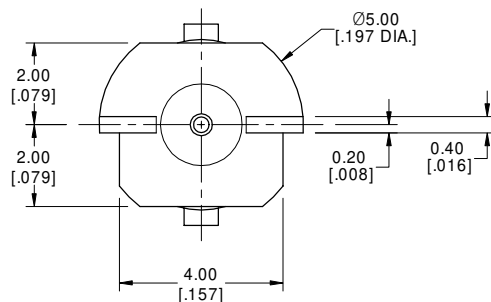
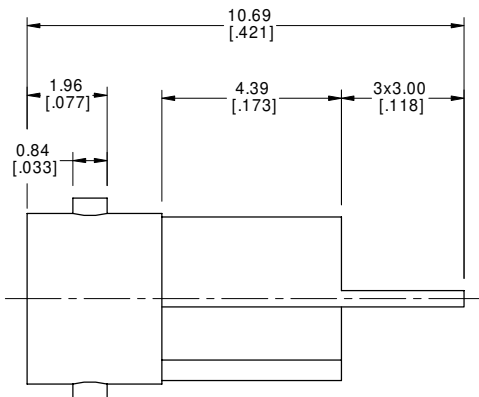
- 1 IMPEDANCE: 50 OHMS
- 2 FREQUENCY RANGE: DC~18 GHz
- 3 VSWR: 1.30 MAX.
- 4 INSERTION LOSS: 0.06 x $\sqrt{\text{GHz}}$ dB
- 5 VOLTAGE RATING: 335 V MAX.
- 6 DIELECTRIC WITHSTANDING VOLTAGE: 500 V MAX.
- 7 INSULATION RESISTANCE: 5000 M Ω

MECHANICAL DATA:

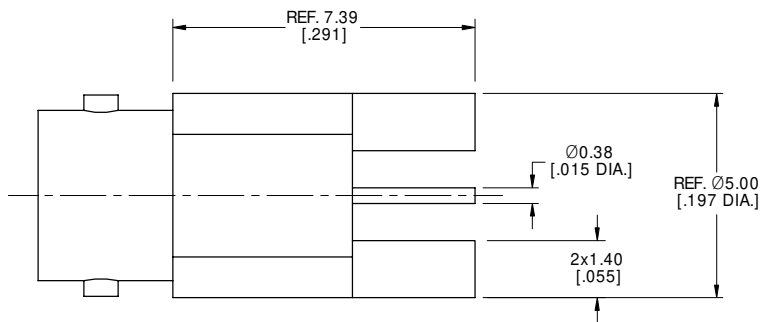
- 1 MATING LIFE: 500 CYCLES

REVISIONS

| REV. | DESCRIPTION | DATE | APPROVED |
|------|-----------------|----------|----------|
| A | INITIAL RELEASE | 07/27/23 | J Q |



RECOMMENDED MOUNTING HOLE



| | | | |
|----------|------|------|----------|
| DRAWN | X. Y | DATE | 07/27/23 |
| CHECKED | W. Y | DATE | 07/27/23 |
| APPROVED | J Q | DATE | 07/27/23 |

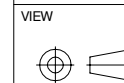
UNLESS OTHERWISE SPECIFIED DIMENSIONS ARE IN MILLIMETERS, DIMENSIONS IN [] ARE IN INCHES FOR CUSTOMER REFERENCE ONLY UNLESS OTHERWISE SPECIFIED TOLERANCE ARE:

| | |
|-----|--------------|
| .XX | ±0.13 [005"] |
| .X | ±0.20 [008"] |
| X | ±0.50 [019"] |
| .X° | ±1° |
| X° | ±2° |

THESE DRAWINGS AND SPECIFICATIONS ARE THE PROPERTY OF ANOISON ELECTRONICS LTD AND SHOULD NOT BE USED WITHOUT WRITTEN PERMISSION COPYRIGHT © 2023 ANOISON ELECTRONICS LTD



TITLE
SMP-QT(SMP QUARTERTURN LOCKING)
STRAIGHT SMOOTH BORE MALE, PCB EDGE MOUNT



| | | | |
|---------------------------|--------------|--------------|-----------|
| PART NO. ANO 9311-4158 | | | |
| SIZE A3 | SCALE 8:1 | SHEET 1/1 | REV. A |

4

3

2

1