

4

3

2

1

REVISIONS

REV.	DESCRIPTION	DATE	APPROVED
A	INITIAL RELEASE	12/21/21	J. QU

1.0 MATERIAL & FINISH:

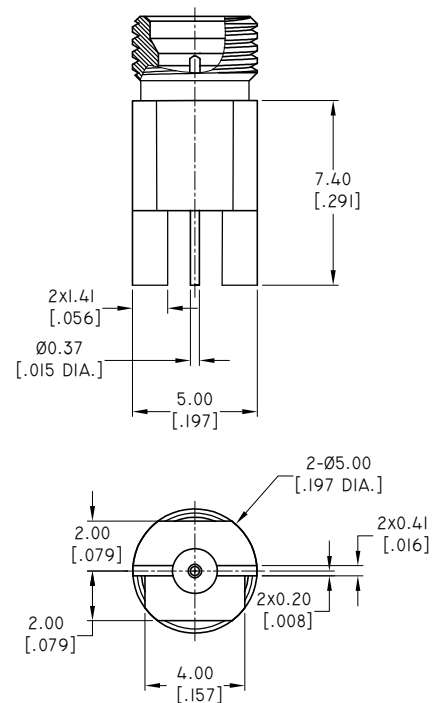
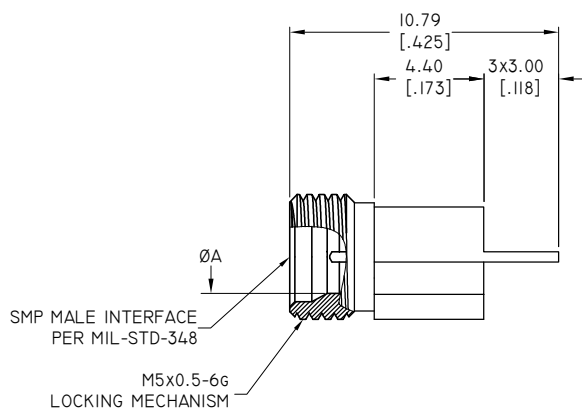
- 1.1 CENTER CONTACT: BERYLLIUM COPPER ALLOY, GOLD PLATED
 1.2 BODY: BERYLLIUM COPPER ALLOY, GOLD PLATED
 1.3 BASE: BRASS, GOLD PLATED
 1.4 INSULATOR: PTFE

3.0 ELECTRICAL DATA:

- 3.1 IMPEDANCE: 50 Ω
 3.2 FREQUENCY RANGE: DC~40 GHZ

2.0 ENVIRONMENTAL DATA:

- 2.1 TEMPERATURE RANGE: -40°C~+125°C
 2.2 2011/65/EU(RoHS) AND 2015/863/(RoHS): COMPLIANT
 2.3 1999/45/EC(REACH): COMPLIANT



PART NO.	TYPE	ØA	DURABILITY	FORCE TO ENGAGE	FORCE TO DISENGAGE
ANO 931I-4132-1	FULL DETENT	(Ø2.95 [.116 DIA.])	100 CYCLES MIN.	68 N MAX.	22 N MIN.
ANO 931I-4132-2	LIMITED DETENT	(Ø3.05 [.120 DIA.])	500 CYCLES MIN.	45 N MAX.	9 N MIN.
ANO 931I-4132-3	SMOOTH BORE	(Ø3.18 [.125 DIA.])	1000 CYCLES MIN.	9 N MAX.	2.2 N MIN.

DRAWN	W. YANG	DATE	12/21/21
CHECKED	X. B. YANG	DATE	12/21/21
APPROVED	J. QU	DATE	12/21/21
UNLESS OTHERWISE SPECIFIED DIMENSIONS ARE IN MILLIMETERS, DIMENSIONS IN [] ARE IN INCHES FOR CUSTOMER REFERENCE ONLY UNLESS OTHERWISE SPECIFIED TOLERANCE ARE:		THESE DRAWINGS AND SPECIFICATIONS ARE THE PROPERTY OF ANOISON ELECTRONICS LTD AND SHOULD NOT BE USED WITHOUT WRITTEN PERMISSION COPYRIGHT © 2021 ANOISON ELECTRONICS LTD	
.XX	±0.13 [.005"]		
.X	±0.20 [.008"]		
X	±0.50 [.019"]		
X°	±1°		
X°	±2°		



TITLE
SMP-T STRAIGHT MALE FOR PCB RECEPTACLE

VIEW



PART NO.

ANO 931I-4132

SIZE
A3SCALE
5:1SHEET
1/1REV.
A

4

3

2

1