

4

3

2

1

REVISIONS

REV.	DESCRIPTION	DATE	APPROVED
A	INITIAL RELEASE	11/30/21	J. QU

1.0 MATERIAL & FINISH:

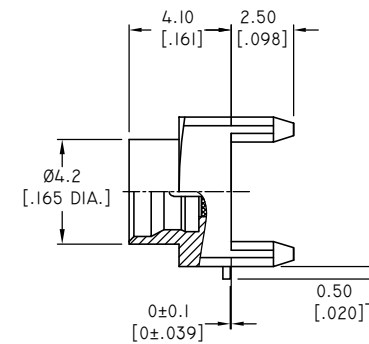
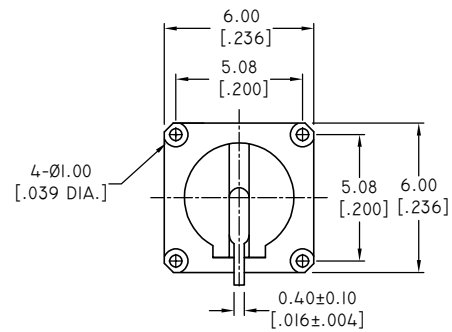
- 1.1 OUTER CONTACT: BRASS, GOLD PLATED
 1.2 CENTER CONTACT: BERYLLIUM COPPER ALLOY, GOLD PLATED
 1.3 INSULATOR: PEEK

2.0 ENVIRONMENTAL DATA:

- 2.1 TEMPERATURE RANGE: -65°C~+165°C
 2.2 2011/65/EU (RoHS): COMPLIANT

3.0 ELECTRICAL DATA:

- 3.1 IMPEDANCE: 50 Ω
 3.2 FREQUENCY RANGE: DC~4 GHz
 3.3 VSWR: 1.10 MAX.
 3.4 INSERTION LOSS: 0.05X-VF GHz



PART NO.	TYPE	FORCE TO ENGAGE	FORCE TO DISENGAGE
ANO 9311-4128-1	FULL DETENT	68 N MAX.	22 N MIN.
ANO 9311-4128-2	LIMITED DETENT	45 N MAX.	9 N MIN.
ANO 9311-4128-3	SMOOTH BORE	9 N MAX.	2.2 N MIN.

DRAWN	W. YANG	DATE	11/30/21
CHECKED	L. YANG	DATE	11/30/21
APPROVED	J. QU	DATE	11/30/21

UNLESS OTHERWISE SPECIFIED DIMENSIONS ARE IN MILLIMETERS, DIMENSIONS IN [] ARE IN INCHES FOR CUSTOMER REFERENCE ONLY UNLESS OTHERWISE SPECIFIED TOLERANCE ARE:

.XX	±0.13 [.005"]
.X	±0.20 [.008"]
X	±0.50 [.019"]
X°	±1°
X"	±2°

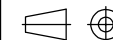
THESE DRAWINGS AND SPECIFICATIONS ARE THE PROPERTY OF ANOISON ELECTRONICS LTD AND SHOULD NOT BE USED WITHOUT WRITTEN PERMISSION
 COPYRIGHT © 2021 ANOISON ELECTRONICS LTD



TITLE

SMP STRAIGHT PLUG

VIEW



PART NO.

ANO 9311-4128

SIZE
A3SCALE
5:1SHEET
1/1REV.
A

4

3

2

1