

MATERIAL & FINISH:

- 1. BODY: BERYLLIUM COPPER ALLOY, GOLD
- 2. CENTER CONTACT: BERYLLIUM COPPER ALLOY, GOLD PLATED
- 3. INSULATOR: TORLON, MIL-P-46179. TYPE I

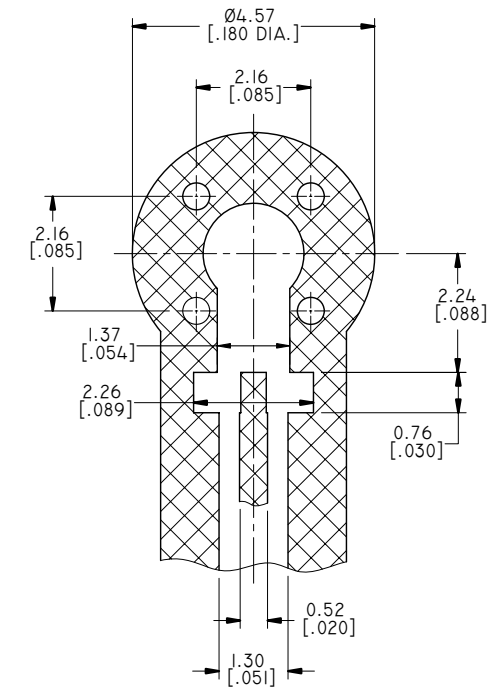
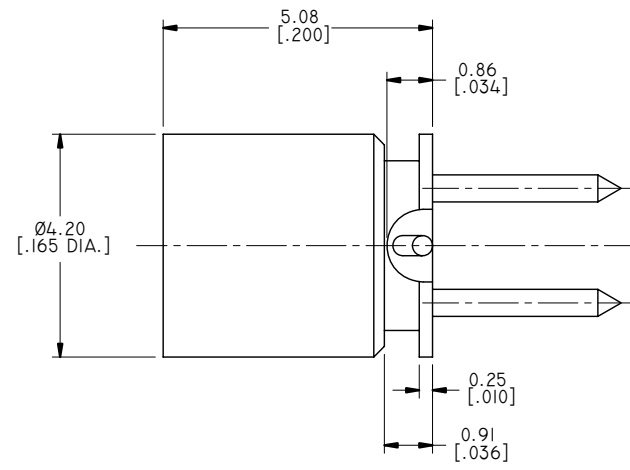
ELECTRICAL SPECIFICATIONS:

- 1. IMPEDANCE: 50 Ω
- 2. FREQUENCY RANGE: DC~18 GHz

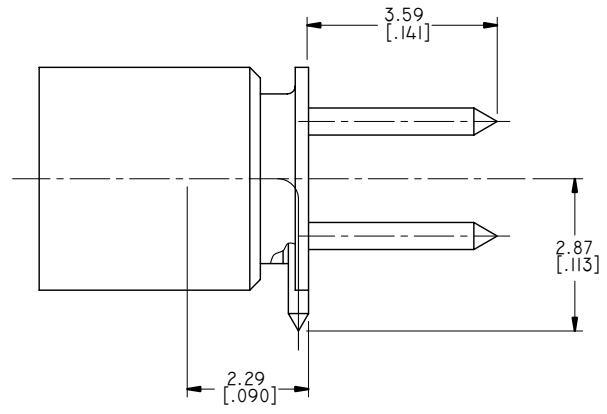
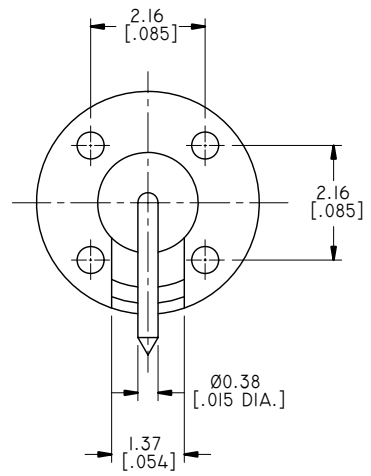
ENVIRONMENTAL DATA:

- 1. TEMPERATURE RANGE: -55°C~+155°C
- 2. 2011/65/EU (RoHS): COMPLIANT

| REVISIONS |                 |          |          |
|-----------|-----------------|----------|----------|
| REV.      | DESCRIPTION     | DATE     | APPROVED |
| A         | INITIAL RELEASE | 12/24/16 | J. QU    |



LAND PATTERN



|   |                |   |          |
|---|----------------|---|----------|
| DRAWN   | X.B. YANG      | DATE  | 12/24/16 |
| CHECKED   | L. YANG        | DATE  | 12/24/16 |
| APPROVED  | J. QU          | DATE  | 12/24/16 |
| UNLESS OTHERWISE SPECIFIED DIMENSIONS ARE IN MILLIMETERS. DIMENSIONS IN [ ] ARE IN INCHES FOR CUSTOMER REFERENCE ONLY UNLESS OTHERWISE SPECIFIED TOLERANCE ARE: |                | THESE DRAWINGS AND SPECIFICATIONS ARE THE PROPERTY OF ANOISON ELECTRONICS LTD AND SHOULD NOT BE USED WITHOUT WRITTEN PERMISSION. COPYRIGHT © 2016 ANOISON ELECTRONICS LTD |          |
| .XX   | ±0.13 [0.005"] |   |          |
| .X  | ±0.20 [0.008"] |   |          |
| X   | ±0.50 [0.019"] |   |          |
| .X°   | ±1°            |   |          |
| X°  | ±2°            |   |          |



|   |       |               |      |
|---|-------|---------------|------|
| TITLE   |       |               |      |
| SMP PLUG LIMITED DETENT SURFACE MOUNT, R/A LAUNCH |       |               |      |
| VIEW  |       | PART NO.      |      |
|   |       | ANO 9311-4064 |      |
| SIZE  | SCALE | SHEET         | REV. |
| A3  | 10:1  | 1/2           | A    |