

4 3 2 1

MATERIAL & FINISH:

1. BODY: BRASS, GOLD
2. CENTER CONTACT: BRASS, GOLD PLATED
3. INSULATOR: PEEK

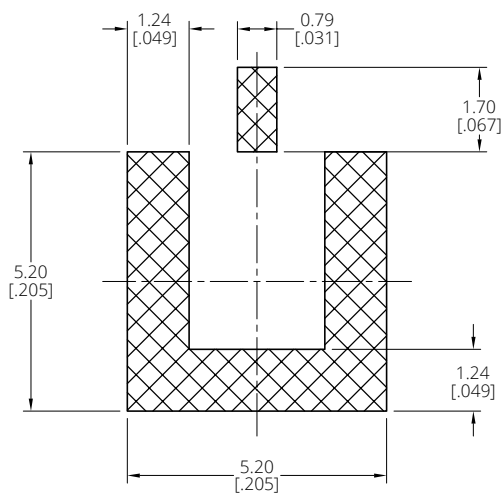
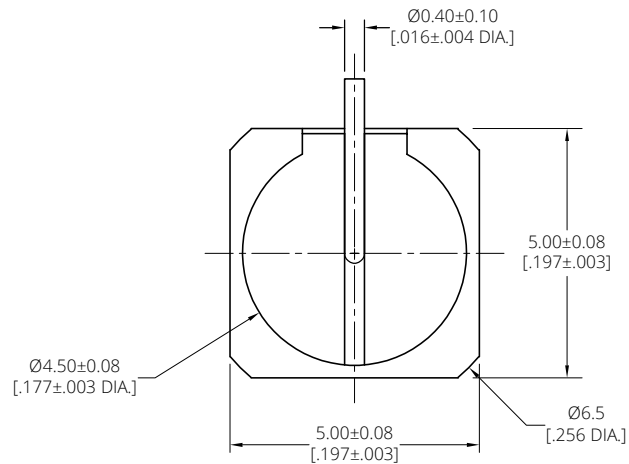
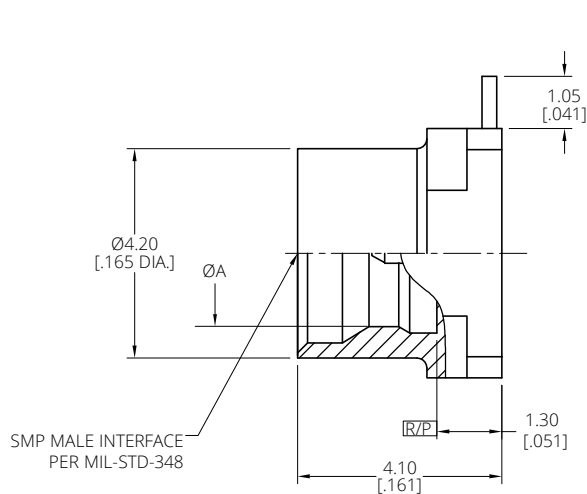
ENVIRONMENTAL DATA:

1. TEMPERATURE RANGE: -55°C ~ +125°C
2. 2011/65/EU (RoHS): COMPLIANT

ELECTRICAL SPECIFICATIONS:

1. IMPEDANCE: 50 Ω
2. FREQUENCY RANGE: DC~26.5GHz
3. VSWR: 1.10 MAX. @ DC-6GHz
1.15 MAX. @ 6-10GHz
1.30 MAX. @ 10-18GHz

REVISIONS			
REV.	DESCRIPTION	DATE	APPROVED
A	INITIAL RELEASE	11/19/16	J.Q
B	CENTER CONDUCTOR IS CHANGED	03/10/17	J.Q
C	INTERFACE ADDED	03/10/17	J.Q



RECOMMENDED PCB FOOTPRINT

PART NO.	TYEP	ØA	FORCE TO ENGAGE	FORCE TO DISENGAGE
ANO 9311-4060-1	FULL DETENT	(Ø2.95 [.116 DIA.])	68 N MAX.	22 N MIN.
ANO 9311-4060-2	LIMITED DETENT	(Ø3.05 [.120 DIA.])	45 N MAX.	9 N MIN.
ANO 9311-4060-3	SMOOTH BORE	(Ø3.18 [.125 DIA.])	9 N MAX.	2.2 N MIN.

DRAWN	W. Y	DATE	03/10/17
CHECKED	L. Y	DATE	03/10/17
APPROVED	J. Q	DATE	03/10/17
UNLESS OTHERWISE SPECIFIED DIMENSIONS ARE IN MILLIMETERS, DIMENSIONS IN [] ARE IN INCHES FOR CUSTOMER REFERENCE ONLY UNLESS OTHERWISE SPECIFIED TOLERANCE ARE:		THESE DRAWINGS AND SPECIFICATIONS ARE THE PROPERTY OF ANOISON ELECTRONICS LTD AND SHOULD NOT BE USED WITHOUT WRITTEN PERMISSION COPYRIGHT © 2017 ANOISON ELECTRONICS LTD	
XX	±0.13 [.005"]		
X	±0.20 [.008"]		
X*	±0.50 [.019"]		
X°	±1°		
X°	±2°		



TITLE			
SMP STRAIGHT PLUG SMT			
VIEW		PART NO.	
		ANO 9311-4060	
SIZE	SCALE	SHEET	REV.
A3	10:1	1/1	C

4 3 2 1