

1.0 MATERIAL & FINISH:

- 1.1 OUTER CONTACT: BRASS, GOLD PLATED
- 1.2 CENTER CONTACT: BERYLLIUM COPPER ALLOY, GOLD PLATED
- 1.3 INSULATOR: PTFE

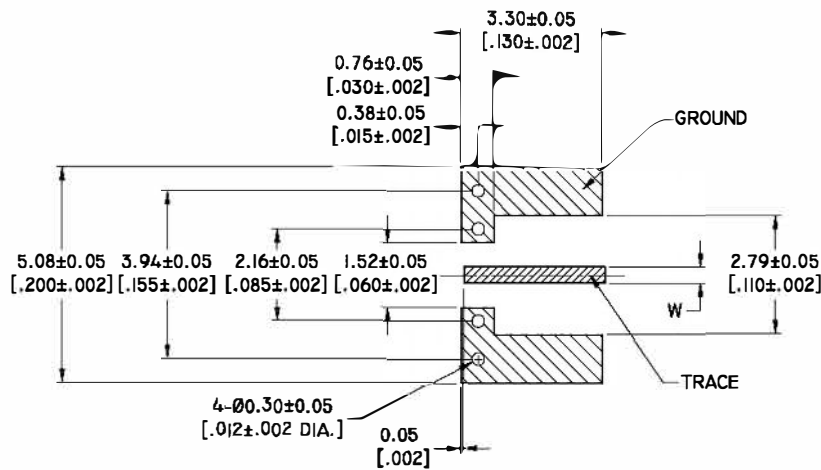
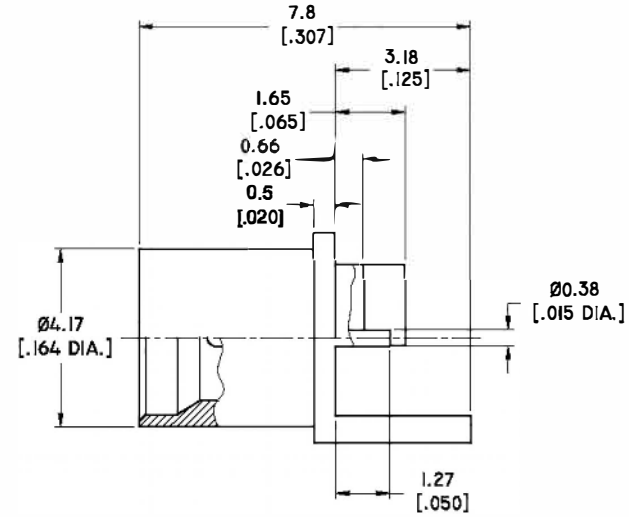
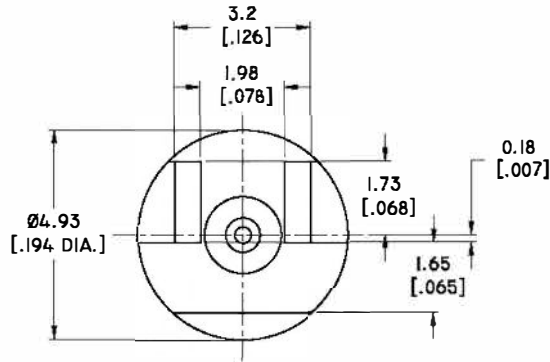
2.0 ENVIRONMENTAL DATA:

- 2.1 TEMPERATURE RANGE: -65°C--+165°C
- 2.2 2011/65/EU (RoHS): COMPLIANT

3.0 ELECTRICAL DATA:

- 3.1 IMPEDANCE: 50 Ω
- 3.2 FREQUENCY RANGE: DC~18 GHz
- 3.3 DIELECTRIC WITHSTANDING VOLTAGE: 500V

REVISIONS			
REV.	DESCRIPTION	DATE	APPROVED
A	INITIAL RELEASE	04/22/13	J. QU
B	PART NO. CHANGED	06/17/13	J. QU
C	CHANGED DRAWING	04/01/18	J. QU
D	ADDED MOUNTING FOOTPRINT	04/20/18	J. QU



RECOMMENDED MOUNTING FOOTPRINT

PART NO.	TYPE	FORCE TO ENGAGE	FORCE TO DISENGAGE
ANO 9311-4024-1	FULL DETENT	68 N MAX.	22 N MIN.
ANO 9311-4024-2	LIMITED DETENT	45 N MAX.	9 N MIN.
ANO 9311-4024-3	SMOOTH BORE	9 N MAX.	2.2 N MIN.

NOTES:

W REFERS TO THE LINE WIDTH APPROPRIATE FOR 50 OHMS ON THE DESIRED MICROSTRIP THICKNESS. MINIMUM W WIDTH IS 0.38[.015].

DRAWN	W. YANG	DATE	04/20/18
CHECKED	X.B. YANG	DATE	04/20/18
APPROVED	J. QU	DATE	04/20/18
UNLESS OTHERWISE SPECIFIED DIMENSIONS ARE IN MILLIMETERS, DIMENSIONS IN [] ARE IN INCHES FOR CUSTOMER REFERENCE ONLY UNLESS OTHERWISE SPECIFIED TOLERANCE ARE:		THESE DRAWINGS AND SPECIFICATIONS ARE THE PROPERTY OF ANOISON ELECTRONICS LTD AND SHOULD NOT BE USED WITHOUT WRITTEN PERMISSION COPYRIGHT © 2018 ANOISON ELECTRONICS LTD	
.XX	±0.13 [.005"]		
.X	±0.20 [.008"]		
X	±0.50 [.019"]		
.X°	±1°		
X°	±2°		



TITLE				
SMP STRAIGHT MALE, PCB EDGE MOUNT				
VIEW		PART NO.		
		ANO 9311-4024		
SIZE	SCALE	SHEET	REV.	
A3	8:1	1/1	D	