

4

3

2

1

1.0 MATERIAL & FINISH:

- 1.1 OUTER CONTACT: BRASS, GOLD PLATED
 1.2 CENTER CONTACT: BERYLLIUM COPPER ALLOY, GOLD PLATED
 1.3 INSULATOR: PEEK

2.0 ENVIRONMENTAL DATA:

- 2.1 TEMPERATURE RANGE: -65°C~+165°C
 2.2 2011/65/EU (RoHS): COMPLIANT

3.0 ELECTRICAL DATA:

- 3.1 IMPEDANCE: 50 Ω
 3.2 FREQUENCY RANGE: DC~18 GHz
 3.3 VSWR: 1.40 MAX.
 3.4 DIELECTRIC WITHSTANDING VOLTAGE: 500V
 3.5 CONTACT RESISTANCE:
 CENTER CONTACT: 6.0
 OUTER CONTACT: 2.0
 3.6 INSULATION RESISTANCE: 5000 MΩ

REVISIONS			
REV.	DESCRIPTION	DATE	APPROVED
E	CHANGED FREQUENCY RANGE	02/23/18	J. QU
F	CHANGED DRAWING	03/14/18	J. QU
G	ADDED ELECTRICAL DATA	06/07/18	J. QU

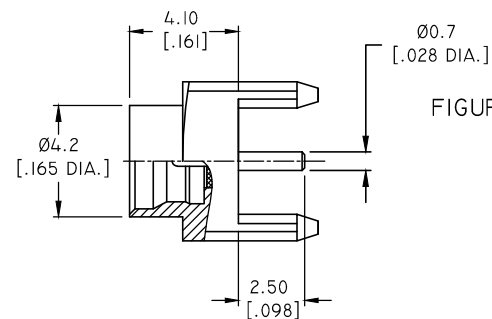
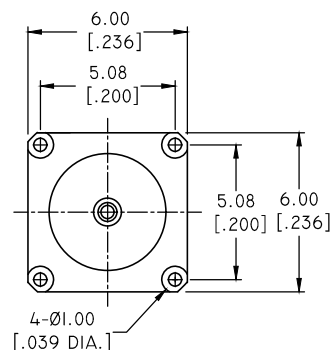


FIGURE 1

	PART NO.	TYPE	FORCE TO ENGAGE	FORCE TO DISENGAGE
FIGURE 1	ANO 9311-4020-1	FULL DETENT	68 N MAX.	22 N MIN.
	ANO 9311-4020-2	LIMITED DETENT	45 N MAX.	9 N MIN.
	ANO 9311-4020-3	SMOOTH BORE	9 N MAX.	2.2 N MIN.
FIGURE 2	ANO 9311-4020-4	CATCHER'S MITT	9 N MAX.	2.2 N MIN.

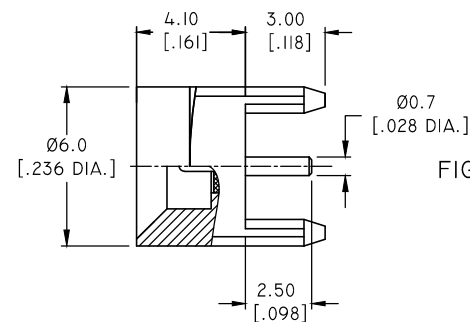
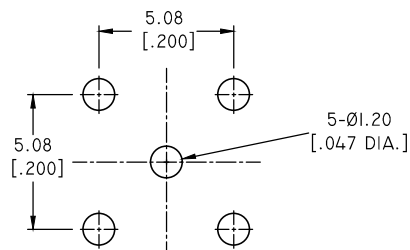


FIGURE 2



RECOMMENDED PCB LAYOUT

DRAWN	W. YANG	DATE	06/07/18
CHECKED	L. YANG	DATE	06/07/18
APPROVED	J. QU	DATE	06/07/18
UNLESS OTHERWISE SPECIFIED DIMENSIONS ARE IN MILLIMETERS. DIMENSIONS IN [] ARE IN INCHES FOR CUSTOMER REFERENCE ONLY UNLESS OTHERWISE SPECIFIED TOLERANCE ARE:		THESE DRAWINGS AND SPECIFICATIONS ARE THE PROPERTY OF ANOISON ELECTRONICS LTD AND SHOULD NOT BE USED WITHOUT WRITTEN PERMISSION COPYRIGHT © 2018 ANOISON ELECTRONICS LTD	
.XX	±0.13 [0.005"]		
.X	±0.20 [0.008"]		
X	±0.50 [0.019"]		
.X°	±1°		
X°	±2°		



TITLE
SMP STRAIGHT MALE, PCB RECEPTACLE

VIEW



PART NO.
ANO 9311-4020

SIZE	SCALE	SHEET	REV.
A3	5:1	1/1	G

4

3

2

1