

1.0 MATERIAL & FINISH:

- 1.1 CENTER CONTACT: BERYLLIUM COPPER ALLOY, GOLD PLATED
- 1.2 BODY: BRASS, GOLD PLATED
- 1.3 INSULATOR: PTFE

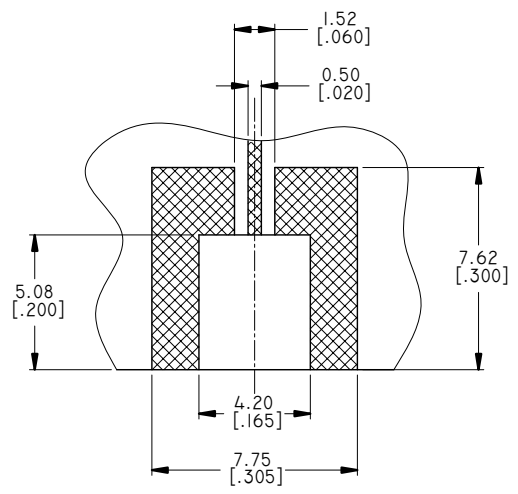
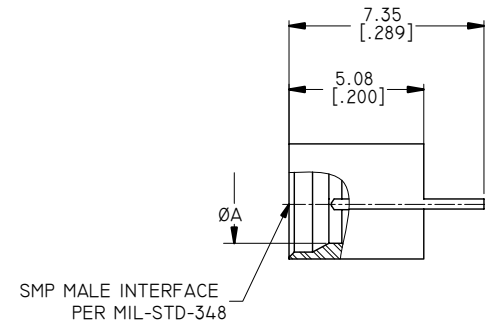
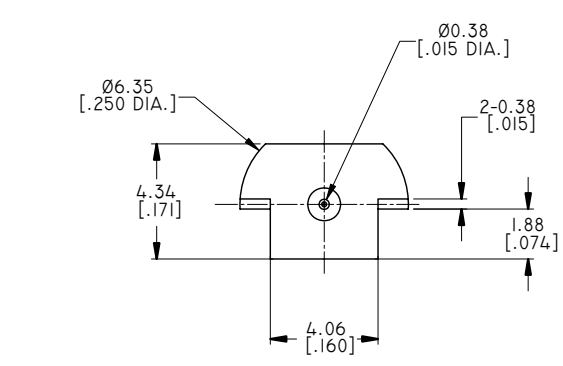
2.0 ENVIRONMENTAL DATA:

- 2.1 TEMPERATURE RANGE: -40°C~+125°C
- 2.2 2011/65/EU (RoHS): COMPLIANT

3.0 ELECTRICAL DATA:

- 3.1 IMPEDANCE: 50 Ω
- 3.2 FREQUENCY RANGE: DC~40 GHz
- 3.3 VSWR: 1.25 TYP. AT 26.5 GHz


REVISIONS			
REV.	DESCRIPTION	DATE	APPROVED
C	CHANGED BODY MATERIAL	08/22/11	J. QU
D	ADDED ELECTRICAL DATA	02/04/17	J. QU



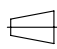

RECOMMENDED MOUNTING HOLE

PART NO.	TYPE	ØA	FORCE TO ENGAGE	FORCE TO DISENGAGE
ANO 9311-4006-1	FULL DETENT	(Ø2.95 [.116 DIA.])	68 N MAX.	22 N MIN.
ANO 9311-4006-2	LIMITED DETENT	(Ø3.05 [.120 DIA.])	45 N MAX.	9 N MIN.
ANO 9311-4006-3	SMOOTH BORE	(Ø3.18 [.125 DIA.])	9 N MAX.	2.2 N MIN.

DRAWN	P. CHEN	DATE	02/04/17
CHECKED	X. B. YANG	DATE	02/04/17
APPROVED	J. QU	DATE	02/04/17
UNLESS OTHERWISE SPECIFIED DIMENSIONS ARE IN MILLIMETERS, DIMENSIONS IN [] ARE IN INCHES FOR CUSTOMER REFERENCE ONLY UNLESS OTHERWISE SPECIFIED TOLERANCE ARE:		THESE DRAWINGS AND SPECIFICATIONS ARE THE PROPERTY OF ANOISON ELECTRONICS LTD AND SHOULD NOT BE USED WITHOUT WRITTEN PERMISSION COPYRIGHT © 2017 ANOISON ELECTRONICS LTD	
.XX	±0.13 [.005"]		
.X	±0.20 [.008"]		
X	±0.50 [.019"]		
.X°	±1°		
X°	±2°		



TITLE: SMP STRAIGHT MALE FOR PCB EDGE MOUNT

VIEW:  

PART NO. ANO 9311-4006

SIZE	SCALE	SHEET	REV.
A3	5:1	I/I	D