

4 3 2 1

**MATERIAL & FINISH:**

1. BODY: KOVAR, GOLD PLATED
2. CENTER CONTACT: KOVAR, GOLD PLATED
3. INSULATOR: CORNING 7070 OR EQUIVALENT

**ELECTRICAL DATA:**

1. IMPEDANCE: 50 Ω
2. FREQUENCY RANGE: DC~40 GHz

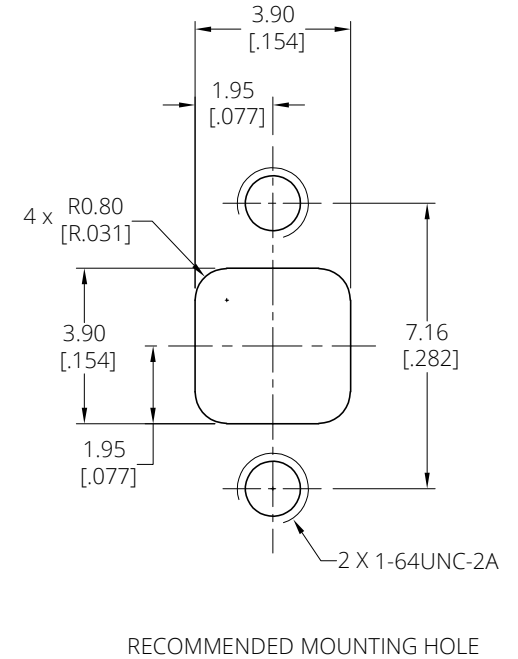
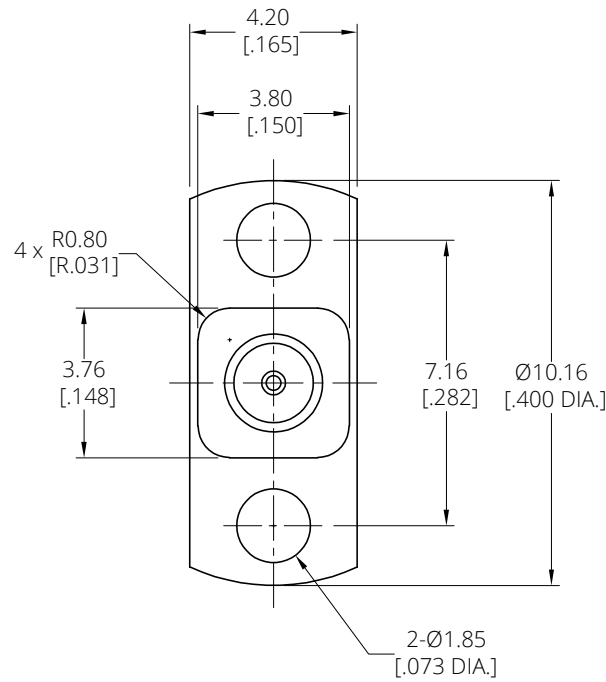
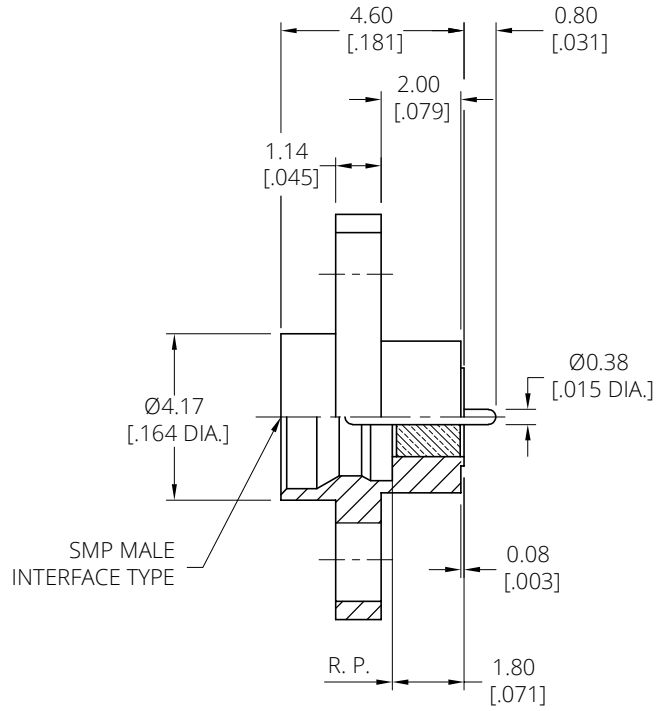
**ENVIRONMENTAL DATA:**

1. TEMPERATURE RANGE: -55°C~+125°C
2. 2011/65/EU(RoHS) AND 2015/863/(RoHS): COMPLIANT
3. 1907/2006/EC(REACH): COMPLIANT
4. HERMETIC SEAL: 10<sup>-8</sup> ATM.CM<sup>3</sup>/S

REVISIONS			
REV.	DESCRIPTION	DATE	APPROVED
A	INITIAL RELEASE	02/08/25	J. Q

D  
C  
B  
A

D  
C  
B  
A



PART NO.	SMP INTERFACE TYPE
ANO 9311-3174-1	FULL DETENT
ANO 9311-3174-2	LIMITED DETENT
ANO 9311-3174-3	SMOOTH BORE

DRAWN	W. Y	DATE	02/08/25
CHECKED	X. Y	DATE	02/08/25
APPROVED	J. Q	DATE	02/08/25
UNLESS OTHERWISE SPECIFIED DIMENSIONS ARE IN MILLIMETERS, DIMENSIONS IN [ ] ARE IN INCHES FOR CUSTOMER REFERENCE ONLY UNLESS OTHERWISE SPECIFIED TOLERANCE ARE:		THESE DRAWINGS AND SPECIFICATIONS ARE THE PROPERTY OF ANOISON ELECTRONICS LTD AND SHOULD NOT BE USED WITHOUT WRITTEN PERMISSION COPYRIGHT © 2025 ANOISON ELECTRONICS LTD	
XX	±0.13 [.005"]		
X	±0.20 [.008"]		
X	±0.50 [.019"]		
X°	±1°		
X"	±2°		



TITLE SMP MALE .031 INCH PIN TERMINAL SOLDER ATTACHMENT 2 HOLE FLANGE, HERMETIC SEAL			
VIEW 		PART NO. ANO 9311-3174	
SIZE A3	SCALE 8:1	SHEET 1/1	REV. A

4 3 2 1