

MATERIAL & FINISH:

- 1 BODY: BERYLLIUM COPPER ALLOY, GOLD PLATED
- 2 CENTER CONTACT: BERYLLIUM COPPER ALLOY, GOLD PLATED
- 3 INSULATOR: PTFE

ENVIRONMENTAL DATA:

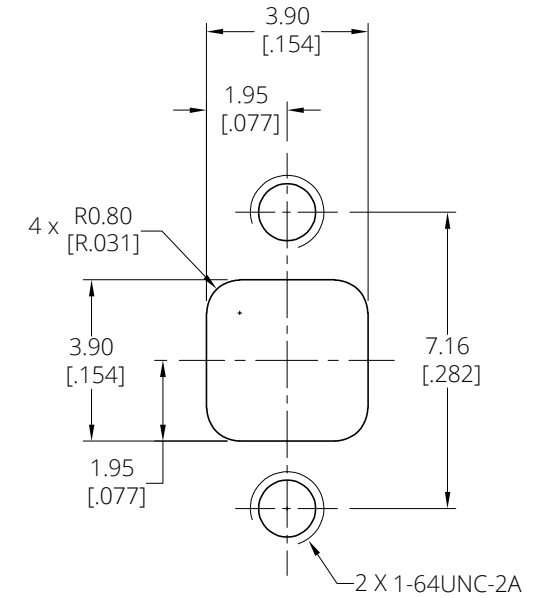
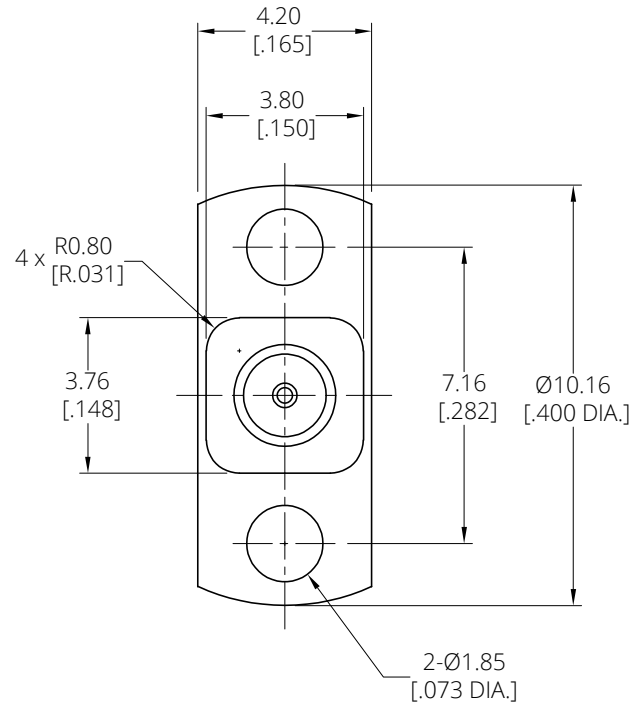
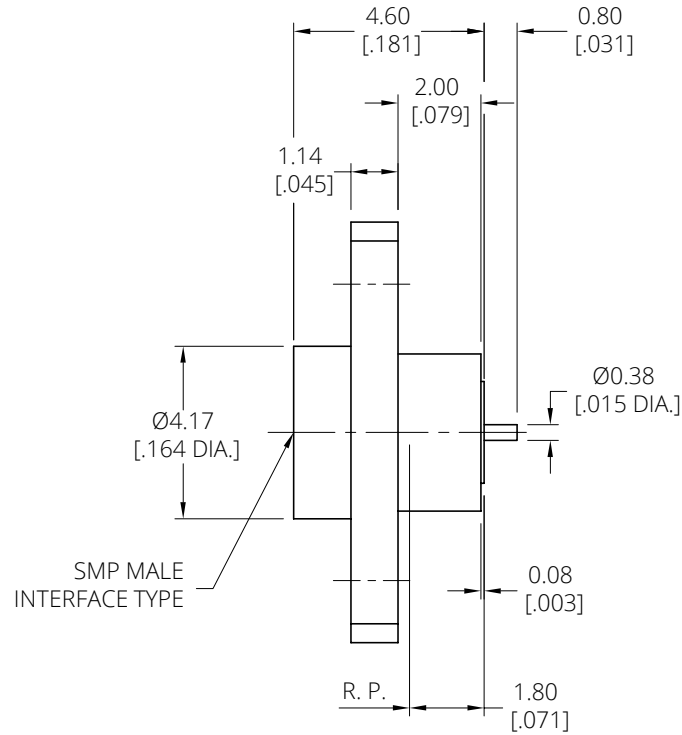
- 1 TEMPERATURE RANGE: -55°C~+125°C
- 2 2011/65/EU(RoHS) AND 2015/863/(RoHS): COMPLIANT
- 3 1907/2006/EC(REACH): COMPLIANT

ELECTRICAL DATA:

- 1 IMPEDANCE: 50 Ω
- 2 FREQUENCY RANGE: DC~40 GHz
- 3 VSWR: 1.25 AT DC~18GHz
1.35 AT 18~26.5GHz
1.50 AT 26.5~40GHz

REVISIONS

REV.	DESCRIPTION	DATE	APPROVED
A	INITIAL RELEASE	11/07/24	J. Q
B	VSWR ADDED	04/27/25	J. Q



RECOMMENDED MOUNTING HOLE

PART NO.	SMP INTERFACE TYPE
ANO 9311-3172-1	FULL DETENT
ANO 9311-3172-2	LIMITED DETENT
ANO 9311-3172-3	SMOOTH BORE

DRAWN	X. Y	DATE	04/27/25
CHECKED	W. Y	DATE	04/27/25
APPROVED	J. Q	DATE	04/27/25
UNLESS OTHERWISE SPECIFIED DIMENSIONS ARE IN MILLIMETERS, DIMENSIONS IN [] ARE IN INCHES FOR CUSTOMER REFERENCE ONLY UNLESS OTHERWISE SPECIFIED TOLERANCE ARE:		THESE DRAWINGS AND SPECIFICATIONS ARE THE PROPERTY OF ANOISON ELECTRONICS LTD AND SHOULD NOT BE USED WITHOUT WRITTEN PERMISSION COPYRIGHT © 2025 ANOISON ELECTRONICS LTD	
.XX	±0.13 [0.005"]		
.X	±0.20 [0.008"]		
X	±0.50 [0.019"]		
.X°	±1°		
X°	±2°		



TITLE			
SMP MALE .031 INCH PIN TERMINAL SOLDER ATTACHMENT 2 HOLE FLANGE			
VIEW		PART NO.	
		ANO 9311-3172	
SIZE	SCALE	SHEET	REV.
A3	8:1	1/1	B