

MATERIAL & FINISH:

- 1 BODY: BERYLLIUM COPPER ALLOY, GOLD PLATED
- 2 CENTER CONTACT: BERYLLIUM COPPER ALLOY, GOLD PLATED
- 3 INSULATOR: PTFE

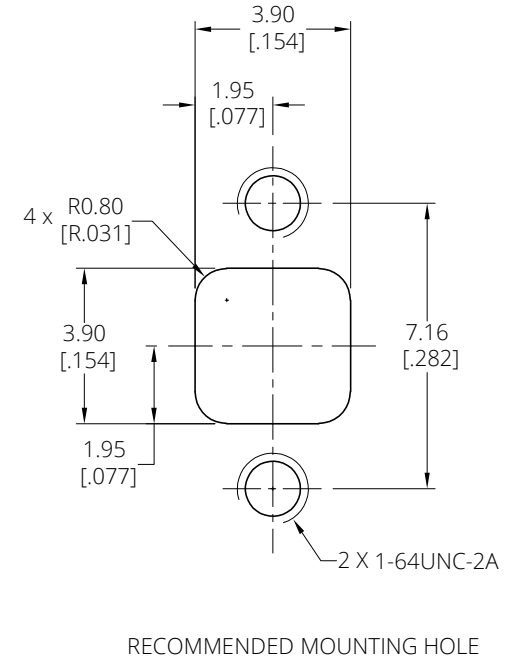
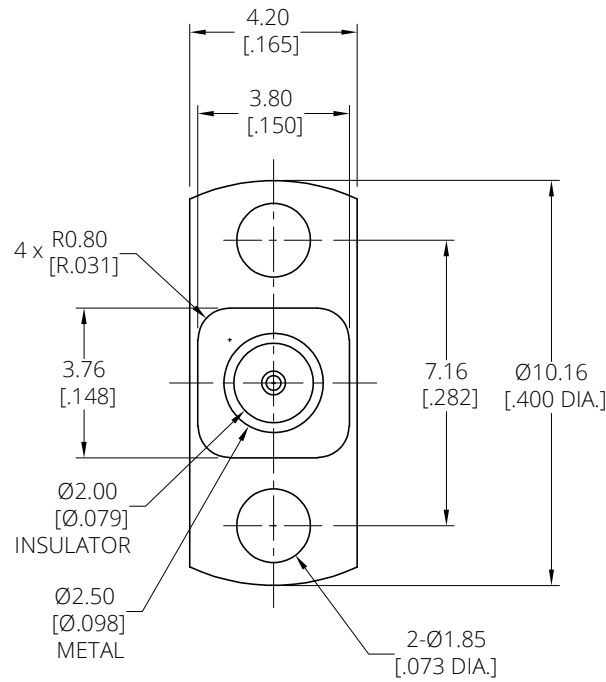
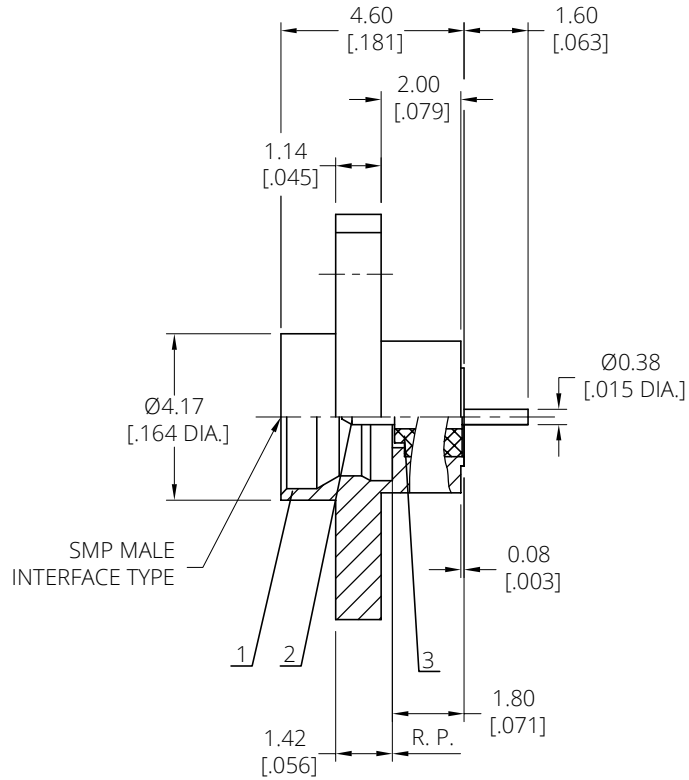
ELECTRICAL DATA:

- 1 IMPEDANCE: 50 Ω
- 2 FREQUENCY RANGE: DC-40 GHz

ENVIRONMENTAL DATA:

- 1 TEMPERATURE RANGE: -55°C~+125°C
- 2 2011/65/EU(RoHS) AND 2015/863/RoHS): COMPLIANT
- 3 1907/2006/EC(REACH): COMPLIANT

REVISIONS			
REV.	DESCRIPTION	DATE	APPROVED
B	OUTLINE DRAWING CHANGED	02/15/23	J. Q
C	FREQUENCY RANGE CHANGED TO DC-18 GHz	08/25/23	J. Q
D	RECOMMENDED MOUNTING HOLE ADDED	09/15/23	J. Q
E	RECOMMENDED MOUNTING HOLE 2-Ø1.85 [Ø73 DIA.] CHANGED TO 2 X 1-64UNC-2A	09/18/23	J. Q
F	ADD SECTIONAL VIEWS	01/08/26	J. Q
G	ADD LENGTH Ø2.00, Ø2.50	01/13/26	J. Q



PART NO.	SMP INTERFACE TYPE
ANO 9311-3152-1	FULL DETENT
ANO 9311-3152-2	LIMITED DETENT
ANO 9311-3152-3	SMOOTH BORE

DRAWN	X. Y	DATE	01/13/26
CHECKED	W. Y	DATE	01/13/26
APPROVED	J. Q	DATE	01/13/26
UNLESS OTHERWISE SPECIFIED DIMENSIONS ARE IN MILLIMETERS, DIMENSIONS IN [] ARE IN INCHES FOR CUSTOMER REFERENCE ONLY UNLESS OTHERWISE SPECIFIED TOLERANCE ARE:		THESE DRAWINGS AND SPECIFICATIONS ARE THE PROPERTY OF ANOISON ELECTRONICS LTD AND SHOULD NOT BE USED WITHOUT WRITTEN PERMISSION COPYRIGHT © 2026 ANOISON ELECTRONICS LTD	
XX	±0.13 [005"]		
X	±0.20 [008"]		
X	±0.50 [019"]		
X°	±1°		
X°	±2°		



TITLE			
SMP MALE .063 INCH PIN TERMINAL SOLDER ATTACHMENT 2 HOLE FLANGE			
VIEW	PART NO. ANO 9311-3152		
	SIZE A3	SCALE 8:1	SHEET 1/1
			REV. G