

4 3 2 1

REVISIONS			
REV.	DESCRIPTION	DATE	APPROVED
A	INITIAL RELEASE	02/28/22	J. QU

1.0 MATERIAL & FINISH:

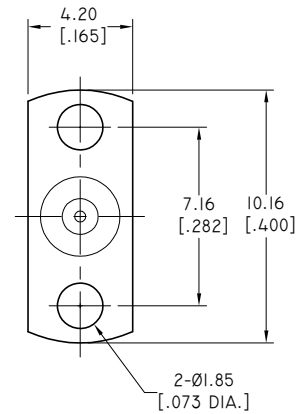
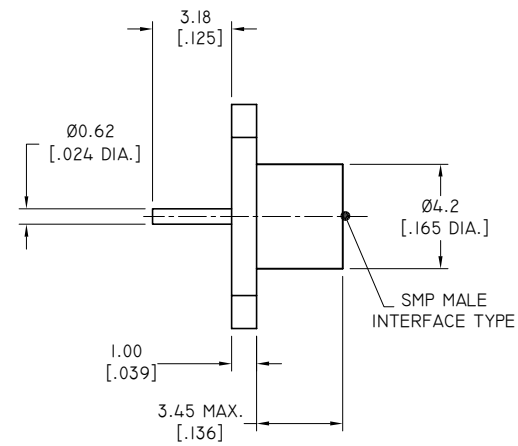
- 1.1 BODY: STAINLESS STEEL, PASSIBATED
- 1.2 CENTER CONTACT: BERYLLIUM COPPER ALLOY, GOLD PLATED
- 1.3 INSULATOR: PTFE

2.0 ELECTRICAL DATA:

- 2.1 IMPEDANCE: 50 Ω
- 2.2 FREQUENCY RANGE: DC~18GHZ
- 2.3 VSWR: 1.30 MAX.
- 2.4 INSERTION LOSS: 0.08x√F(GHZ) DB MAX.

3.0 ENVIRONMENTAL DATA:

- 3.1 TEMPERATURE RANGE: -55°C~+125°C
- 3.2 2011/65/EU(RoHS) AND 2015/863/(RoHS): COMPLIANT
- 3.3 1999/45/EC(REACH): COMPLIANT



PART NO.	SMP INTERFACE TYPE
ANO 9311-3135-1	FULL DETENT
ANO 9311-3135-2	LIMITED DETENT
ANO 9311-3135-3	SMOOTH BORE

DRAWN	W. YANG	DATE	02/28/22
CHECKED	X. B. YANG	DATE	02/28/22
APPROVED	J. QU	DATE	02/28/22
UNLESS OTHERWISE SPECIFIED DIMENSIONS ARE IN MILLIMETERS, DIMENSIONS IN [] ARE IN INCHES FOR CUSTOMER REFERENCE ONLY UNLESS OTHERWISE SPECIFIED TOLERANCE ARE:		THESE DRAWINGS AND SPECIFICATIONS ARE THE PROPERTY OF ANOISON ELECTRONICS LTD AND SHOULD NOT BE USED WITHOUT WRITTEN PERMISSION COPYRIGHT © 2022 ANOISON ELECTRONICS LTD	
.XX	±0.13 [.005"]		
.X	±0.20 [.008"]		
X	±0.50 [.019"]		
X°	±1°		
X°	±2°		

TITLE
SMP STRAIGHT MALE 2 HOLE FLANGE PANEL MOUNT RECEPTACLE

PART NO.
ANO 9311-3135

VIEW		SIZE	A3	SCALE	5:1	SHEET	I/I	REV.	A
-------------	--	-------------	----	--------------	-----	--------------	-----	-------------	---

4 3 2 1